

# Rinnai® Direct Vent Tankless Water Heater Installation and Operation Manual

**FOR INDOOR APPLICATIONS ONLY**

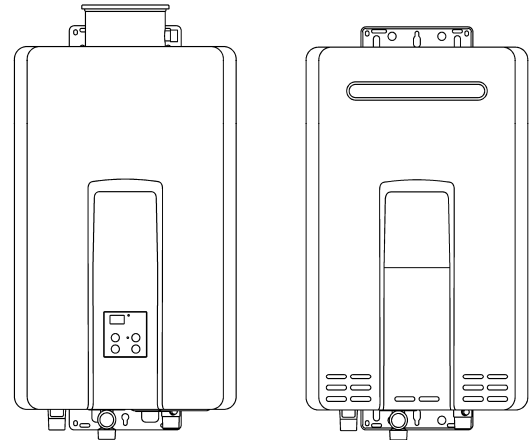
**RL75i** .....REU-VC2528FFUD-US

**RL94i** .....REU-VC2837FFUD-US

**FOR OUTDOOR APPLICATIONS ONLY**

**RL75e** .....REU-VC2528WD-US

**RL94e** .....REU-VC2837WD-US



ANS Z21.10.3 • CSA 4.3

**READ ALL OF THE INSTRUCTIONS THOROUGHLY BEFORE INSTALLING OR OPERATING THIS WATER HEATER.**

This manual provides information on the installation, operation, and maintenance of the water heater. For proper operation and **safety**, it is important to follow the instructions and adhere to the safety precautions.

A licensed professional must install the water heater according to the exact instructions on pages 4-30.

The consumer must read the entire manual to properly operate the water heater and to have regular maintenance performed.

**⚠ WARNING** If the information in these instructions is not followed exactly, a fire or explosion may result causing property damage, personal injury or death.

- Do not store or use gasoline or other flammable vapors and liquids in the vicinity of this or any other appliance.
- **WHAT TO DO IF YOU SMELL GAS**
  - Do not try to light any appliance.
  - Do not touch any electrical switch; do not use any phone in your building.
  - Immediately call your gas supplier from a neighbor's phone. Follow the gas supplier's instructions.
  - If you cannot reach your gas supplier, call the fire department.
- Installation and service must be performed by a licensed professional.

**This entire manual must be left for the consumer. The consumer must read and refer to this manual for proper operation and to maintain the water heater.**

# Table of Contents

Table of Contents .....	2	Final Checklist .....	24
Safety Behaviors and Practices for the Consumer and Installer .....	3	Technical Data .....	25
<b>Installation Instructions (for the licensed professional) .....</b>	<b>4</b>	Specifications .....	25
Prepare for Installation .....	5	Dimensions .....	26
Determine Installation Location .....	6	Pressure Drop and Water Flow Curves .....	27
Checklist to Determine Installation Location...	12	Ladder Diagram.....	28
Mount to Wall.....	12	Recirculation Mode (RL94 Models) .....	29
Remove the Front Panel .....	12	<b>Operation Instructions.....</b>	<b>31</b>
Installation of Venting (indoor models only) ...	13	Consumer Operation Guidelines for the Safe Operation of your Water Heater.....	32
Condensate (indoor models only) .....	15	How to Use the Temperature Controller .....	33
Checklist for Venting and Condensate (indoor models only).....	15	How to Set the Temperature .....	34
Installation of Plumbing.....	16	Diagnostic Codes .....	36
Checklist for Plumbing .....	19	Required Maintenance .....	39
Installation of Gas Supply .....	19	Flushing the Heat Exchanger .....	41
Connect Electricity .....	21	Manual Draining of the Water Heater .....	42
Adjust for High Altitude .....	21	State Regulations.....	43
Adjust for Vent Length (indoor models only) ..	21	Replacement Parts .....	44
Checklist for Gas and Electricity .....	21	Consumer Warranty .....	45
Installation of Temperature Controller .....	22	French Version.....	48

NOTICE: Rinnai sometimes shares customer contact information with businesses that we believe provide products or services that may be useful to you. By providing this information, you agree that we can share your contact information for this purpose. If you prefer not to have your information shared with these businesses, please contact customer service and ask not to have your information shared. We will however, continue to contact you with information relevant to the product(s) you registered and/or you account with us.

If you have any questions or feel that the manual is incomplete contact Rinnai at 1-800-621-9419.

## Important Safety Information

### Safety Definitions



This is the safety alert symbol. This symbol alerts you to potential hazards that can kill or hurt you and others.



Indicates an imminently hazardous situation which, if not avoided, will result in death or serious injury.



Indicates a potentially hazardous situation which, if not avoided, could result in death or serious injury.



Indicates a potentially hazardous situation which, if not avoided, could result in minor or moderate injury. It may also be used to alert against unsafe practices.

## Safety Behaviors and Practices for the Consumer and Installer

### **WARNING**

- Before operating, smell all around the appliance area for gas. Be sure to smell next to the floor because some gas is heavier than air and will settle on the floor.
- Keep the area around the appliance clear and free from combustible materials, gasoline, and other flammable vapors and liquids.
- Combustible construction refers to adjacent walls and ceiling and should not be confused with combustible or flammable products and materials. Combustible and/or flammable products and materials should never be stored in the vicinity of this or any gas appliance.
- Always check the water temperature before entering a shower or bath.
- To protect yourself from harm, before performing maintenance:
  - ◇ Turn off the electrical power supply by unplugging the power cord or by turning off the electricity at the circuit breaker. (The temperature controller does not control the electrical power.)
  - ◇ Turn off the gas at the manual gas valve, usually located immediately below the water heater.
  - ◇ Turn off the incoming water supply. This can be done at the isolation valve immediately below the water heater or by turning off the water supply to the building.
- Use only your hand to push in or turn the gas control knob. Never use tools. If the knob will not push in or turn by hand, do not try to repair it; call a licensed professional. Force or attempted repair may result in a fire or explosion.
- Do not use this appliance if any part has been under water. Immediately call a licensed professional to inspect the appliance and to replace any part of the control system and any gas control which has been under water.
- Do not use substitute materials. Use only parts certified with the appliance.
- Should overheating occur or the gas supply fail to shut off, turn off the manual gas control valve to the appliance.
- Do not adjust the DIP switch unless specifically instructed to do so.
- Do not use an extension cord or an adapter plug with this appliance.
- Any alteration to the appliance or its controls can be dangerous and will void the warranty.

### **CAUTION**

- **BURN HAZARD.** Hot exhaust and vent may cause serious burns. Keep away from water heater unit. Keep small children and animals away from unit.
- Hot water outlet pipes leaving the unit can be hot to touch. In residential applications, insulation must be used for hot water pipes below 36" due to burn risk to children.

California law requires this notice to be provided:

**California Proposition 65** lists chemical substances known to the state to cause cancer, birth defects, death, serious illness or other reproductive harm. This product may contain such substances, be their origin from fuel combustion (gas, oil) or components of the product itself.

# Installation Instructions

## Installer Qualifications

A licensed professional must install the appliance, inspect it, and leak test it before use. The warranty will be voided due to improper installation.

The installer should have skills such as:

- gas sizing
- connecting gas lines, water lines, valves, electricity,
- knowledge of applicable national, state, and local codes.
- installing venting through a wall or roof

If you lack these skills contact a licensed professional.

## Type of installation

- For installation in residential and commercial applications.
- Certified for installation in manufactured (mobile) homes.

## Installation Steps

Prepare for Installation .....	5
Determine Installation Location .....	6
Checklist to Determine Installation Location...	12
Mount to Wall.....	12
Remove the Front Panel .....	12
Installation of Venting (indoor models only) ...	13
Condensate (indoor models only).....	15
Checklist for Venting and Condensate (indoor models only).....	15
Installation of Plumbing .....	16
Checklist for Plumbing .....	19
Installation of Gas Supply .....	19
Connect Electricity .....	21
Adjust for High Altitude .....	21
Adjust for Vent Length (indoor models only) ..	21
Checklist for Gas and Electricity.....	21
Installation of Temperature Controller.....	22
Final Checklist .....	24

## General Instructions

### DO NOT

- Do not install the RL75i or the RL94i outdoors.
- Do not install the RL75e or the RL94e indoors.
- Do not install the appliance in an area where water leakage of the unit or connections will result in damage to the area adjacent to the appliance or to lower floors of the structure. When such locations cannot be avoided, it is recommended that a suitable drain pan, adequately drained, be installed under the appliance. The pan must not restrict combustion air flow.
- Do not obstruct the flow of combustion and ventilation air. Combustion air shall not be supplied from occupied spaces.
- Do not use this appliance in an application such as a pool or spa heater that uses chemically treated water . (This appliance is suitable for filling large or whirlpool spa tubs with potable water.)
- Do not use substitute parts that are not authorized for this appliance.

### MUST DO

- The installation must conform with local codes or, in the absence of local codes, with the *National Fuel Gas Code, ANSI Z223.1/NFPA 54*, or the *Natural Gas and Propane Installation Code, CSA B149.1*. If installed in a manufactured home, the installation must conform with the *Manufactured Home Construction and Safety Standard, Title 24 CFR, Part 3280* and/or *CAN/SCA Z240 MH Series, Mobile Homes*.
- The appliance, when installed, must be electrically grounded in accordance with local codes or, in the absence of local codes, with the *National Electrical Code, ANSI/NFPA 70*, or the *Canadian Electrical Code, CSA C22.1*.
- The appliance and its appliance main gas valve must be disconnected from the gas supply piping system during any pressure testing of that system at test pressures in excess of 1/2 psi (3.5 kPa) (13.84 in W.C.).

- The appliance must be isolated from the gas supply piping system by closing its individual manual shutoff valve during any pressure testing of the gas supply piping system at test pressures equal to or less than 1/2 psi (3.5 kPa) (13.84 in W.C.).
- You must follow the installation instructions and those in *Care and Maintenance* for adequate combustion air intake and exhaust.

### **INFORMATION**

- If a water heater is installed in a closed water supply system, such as one having a backflow preventer in the cold water supply line, means shall be provided to control thermal expansion. Contact the water supplier or local plumbing inspector on how to control thermal expansion.
- Should overheating occur or the gas supply fail to shut off, turn off the manual gas control valve to the appliance.
- Keep the air intake location free of chemicals such as chlorine or bleach that produce fumes. These fumes can damage components and reduce the life of your appliance.

## **Prepare for installation**

### **Parts included**

- Tankless water heater
- Color coded cold (blue) and hot (red) isolation valves
- Pressure relief valve
- MC-91-2 temperature controller (integrated into indoor models; provided with outdoor models)

### **Tools needed**

- Pipe wrenches (2)
- Adjustable pliers
- Screwdrivers (2)
- Wire cutters
- Gloves
- Safety glasses
- Level

### **Tools that might be needed**

- Hammer drill with concrete bits
- Saw
- Threading machine with heads and oiler
- Core drill with diamond head
- Torch set
- Copper tubing cutter
- Steel pipe cutter

### **Materials needed**

- Soap solution
- Approved venting
- Teflon tape (recommended) or pipe compound

### **Materials that may be needed**

- Heat tape
- Pipe insulation
- Electrical wire and conduit per local code
- Concrete wall anchors
- Optional pipe cover
- Optional temperature controller
- 5/8" ID PVC flexible tubing
- 2 conductor 22 AWG wire for controller
- Single gang electrical box
- Wire nuts
- Unions and drain valves

## Determine Installation Location

You must ensure that clearances will be met and that the vent length will be within required limits. Consider the installation environment, water quality, and need for freeze protection. Requirements for the gas line, water lines, electrical connection, and condensate disposal can be found in their respective installation sections of this manual.

### Water Quality

Consideration of care for your water heater should include evaluation of water quality.

**Water that contains chemicals exceeding the levels below affect and damage the heat exchanger. Replacement of the heat exchanger due to water quality damage is not covered by the warranty.**

	Maximum Level
Total Hardness	Up to 200 mg / L
Aluminum *	Up to 0.2 mg / L
Chlorides *	Up to 250 mg / L
Copper *	Up to 1.0 mg / L
Iron *	Up to 0.3 mg / L
Manganese *	Up to 0.05 mg / L
pH *	6.5 to 8.5
TDS (Total Dissolved Solids) *	Up to 500 mg / L
Zinc *	Up to 5 mg / L

\* Source: Part 143 National Secondary Drinking Water Regulations

If you install this water heater in an area that is known to have hard water or that causes scale build-up the water must be treated and/or the heat exchanger flushed regularly.

When scale build-up in the heat exchanger begins to affect the performance of the water heater, a diagnostic code "LC#" will display. Flush the heat exchanger to prevent damage to it. Scale build up is caused by hard water set at a high temperature.

Rinnai provides a "Scale Control System" that offers superior lime scale prevention and corrosion control by feeding a blend of control compounds into the cold water supply.

103000022	103000023	103000024
Installed on cold water line supplying 1 tankless water heater only	Whole home or Light Commercial supplying 1 tankless water heater	Whole home supplying 2 tankless water heaters or 1 tankless in Light Commercial
Refill 103000025	Refill 103000026	Refill 103000026

## Environment

Air surrounding the water heater, venting, and vent termination(s) is used for combustion and must be free of any compounds that cause corrosion of internal components. These include corrosive compounds that are found in aerosol sprays, detergents, bleaches, cleaning solvents, oil based paints/ varnishes, and refrigerants. The air in beauty shops, dry cleaning stores, photo processing labs, and storage areas for pool supplies often contains these compounds. Therefore it is recommended that outdoor models be used for these locations where possible.

The water heater, venting, and vent termination(s) should not be installed in any areas where the air may contain these corrosive compounds. If it is necessary for a water heater to be located in areas which may contain corrosive compounds, the following instructions are strongly recommended.

### IMPORTANT CONSIDERATIONS FOR:

#### Indoor/Internal Water Heaters

- DO NOT Install in areas where air for combustion can be contaminated with chemicals.
- Before installation, consider where air has the ability to travel within the building to the water heater.
- Where possible, install the water heater in a sealed closet so that it is protected from the potential of contaminated indoor air.
- Chemicals that are corrosive in nature should not be stored or used near the water heater.

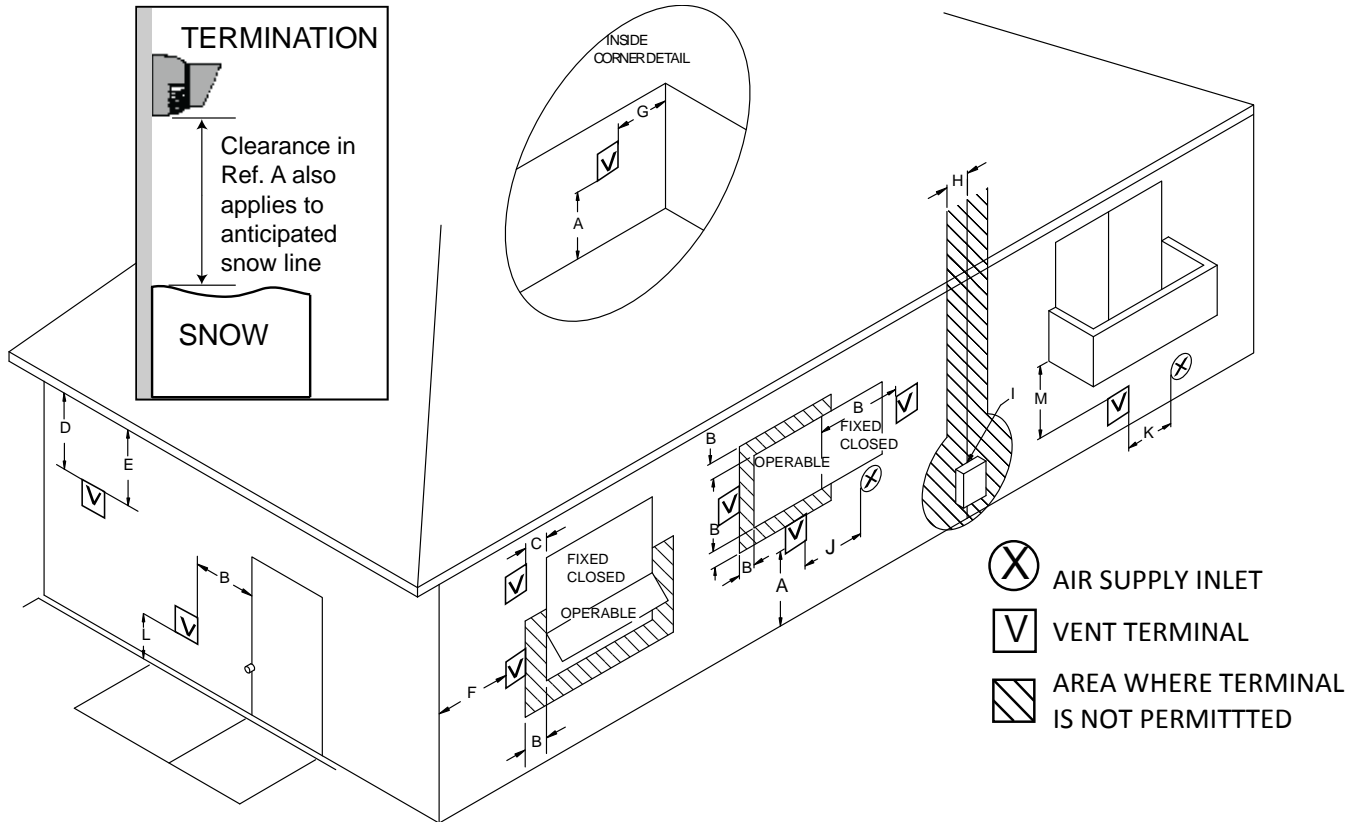
#### Outdoor/External Water Heaters and Vent Terminations of Indoor/Internal Water Heaters

- Install the water heater as far away as possible from exhaust vent hoods.
- Install as far away as possible from air inlet vents. Corrosive fumes may be released through these vents when air is not being brought in through them.
- Chemicals that are corrosive in nature should not be stored or used near the water heater or vent termination.

Damage and repair due to corrosive compounds in the air is not covered by warranty.

## Vent Termination Clearances

For indoor models, you must install a vent termination to bring in combustion air and expel exhaust.



Ref	Description	Canadian Installations	US Installations
A	Clearance above grade, veranda, porch, deck, or balcony	12 inches (30 cm)	12 inches (30 cm)
B	Clearance to window or door that may be opened	36 inches (91 cm)	12 inches (30 cm)
C	Clearance to permanently closed window	*	*
D	Vertical clearance to ventilated soffit, located above the terminal within a horizontal distance of 2 feet (61 cm) from the center line of the terminal	*	*
E	Clearance to unventilated soffit	*	*
F	Clearance to outside corner	*	*
G	Clearance to inside corner	*	*
H	Clearance to each side of center line extended above meter/regulator assembly	3 feet (91 cm) within a height 15 feet (4.5 m) above the meter/regulator assembly	*
I	Clearance to service regulator vent outlet	36 inches (91 cm)	*
J	Clearance to nonmechanical air supply inlet to building or the combustion air inlet to any other appliance	36 inches (91 cm)	12 inches (30 cm)
K	Clearance to a mechanical air supply inlet	6 feet (1.83 m)	3 feet (91 cm) above if within 10 feet (3 m) horizontally
L	Clearance above paved sidewalk or paved driveway located on public property	7 feet (2.13 m) ①	*
M	Clearance under veranda, porch, deck, or balcony	12 inches (30 cm) ②	*

[1] A vent shall not terminate directly above a sidewalk or paved driveway that is located between two single family dwellings and serves both dwellings.

[2] Permitted only if veranda, porch, deck, or balcony is fully open on a minimum of two sides beneath the floor.

\* For clearances not specified in *ANSI Z223.1/NFPA 54*, clearances are in accordance with local installation codes and the requirements of the gas supplier.

Clearance to opposite wall is 24 inches (60 cm).

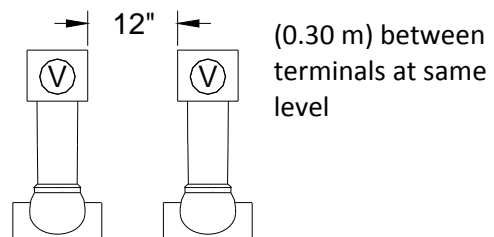
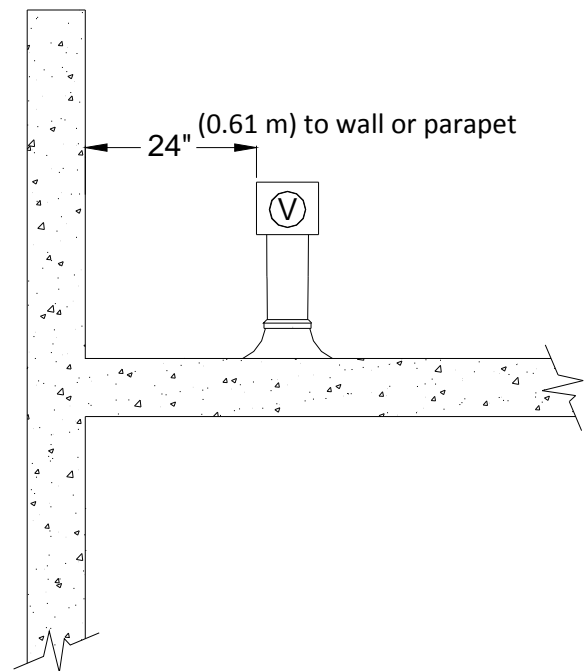
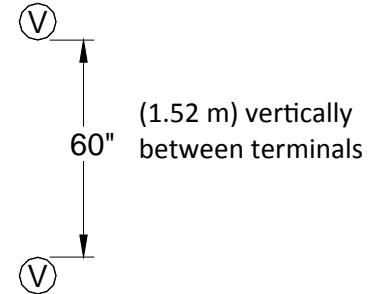
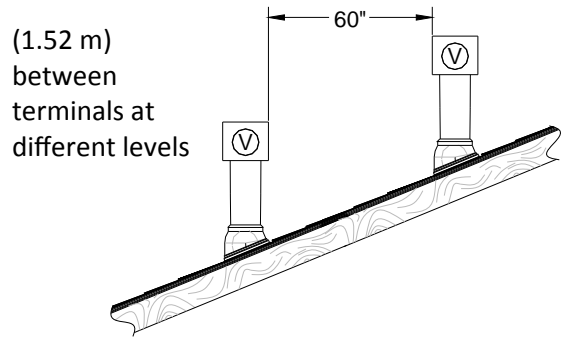
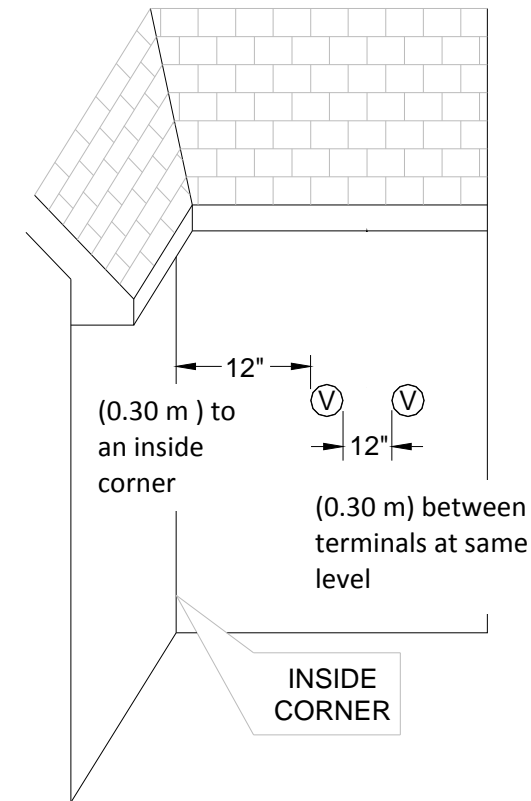
## Additional clearances - RL75i, RL94i

Check on whether local codes supersede these clearances.

- Avoid termination locations near a dryer vent.
- Avoid termination locations near commercial cooking exhaust.
- You must install a vent termination at least 12 inches from the ground.

**Important considerations** for locating vent termination under a soffit (ventilated or unventilated or eave vent; or to a deck or porch)

- Do not install vent termination under a soffit vent such that exhaust can enter the soffit vent
- Install vent termination such that exhaust and rising moisture will not collect under eaves. Discoloration to the exterior of the building could occur if installed too close.
- Do not install the vent termination too close under the soffit where it could present recirculation of exhaust gases back into the combustion air intake part of the termination.



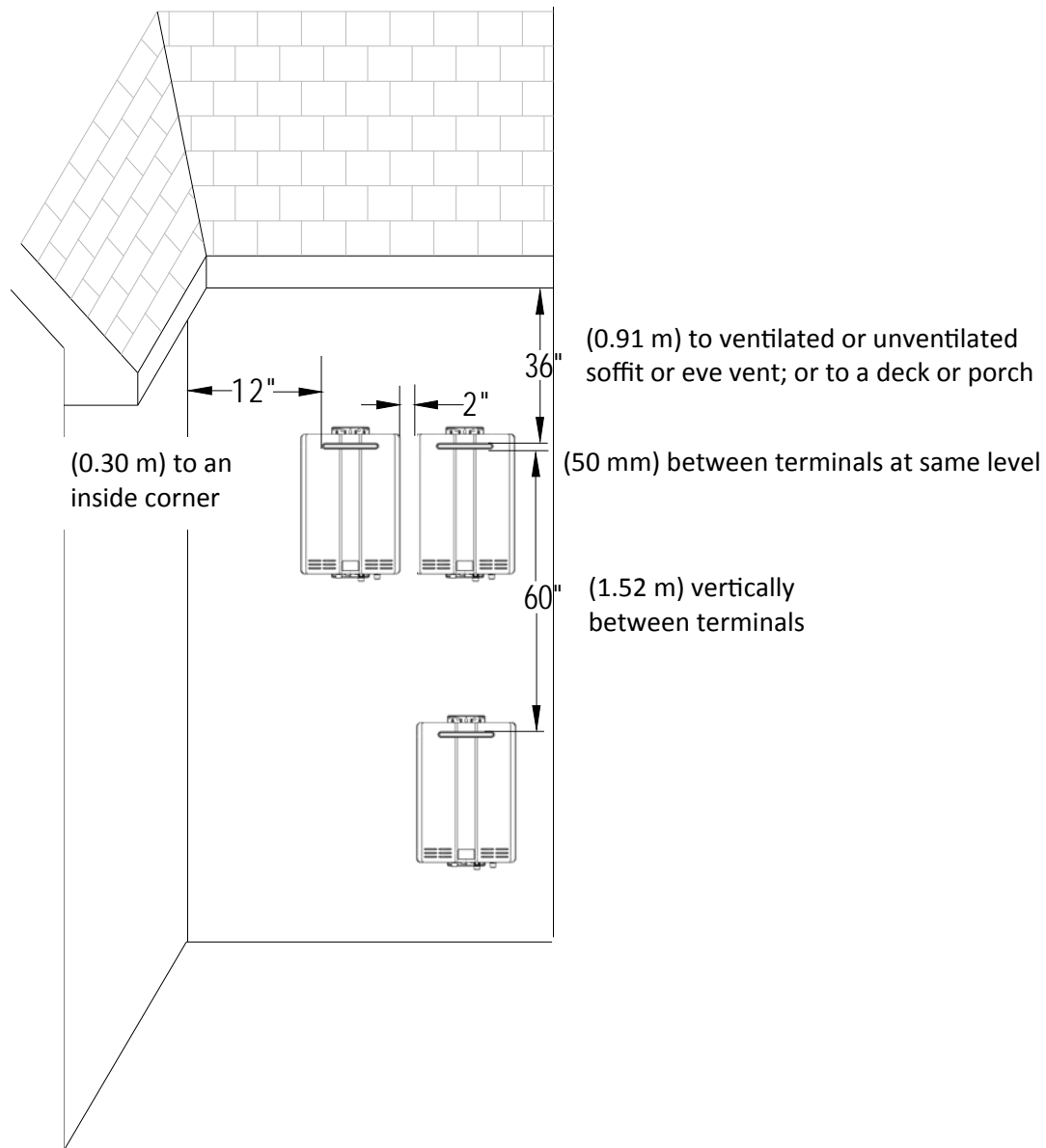


## Additional clearances

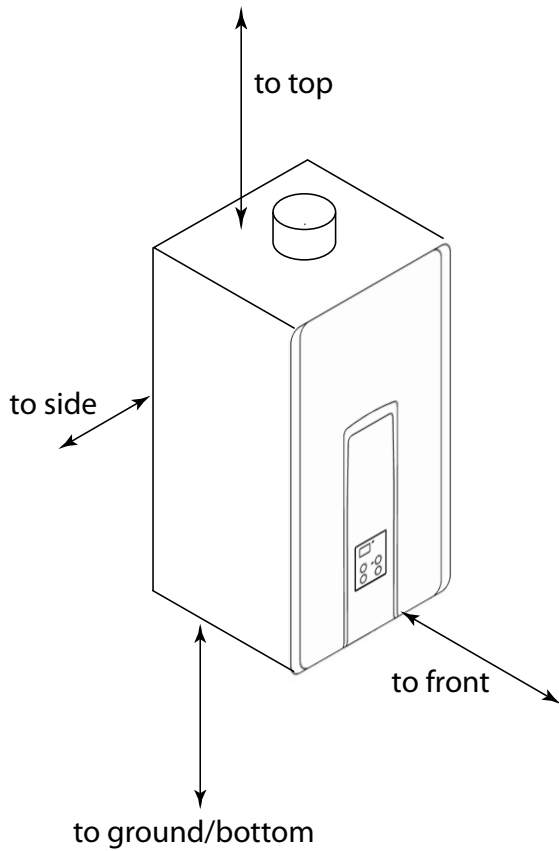
### RL75e, RL94e

Local codes supersede these clearances.

- Avoid termination locations near a dryer vent.
- Avoid termination locations near commercial cooking exhaust.



## Unit clearances



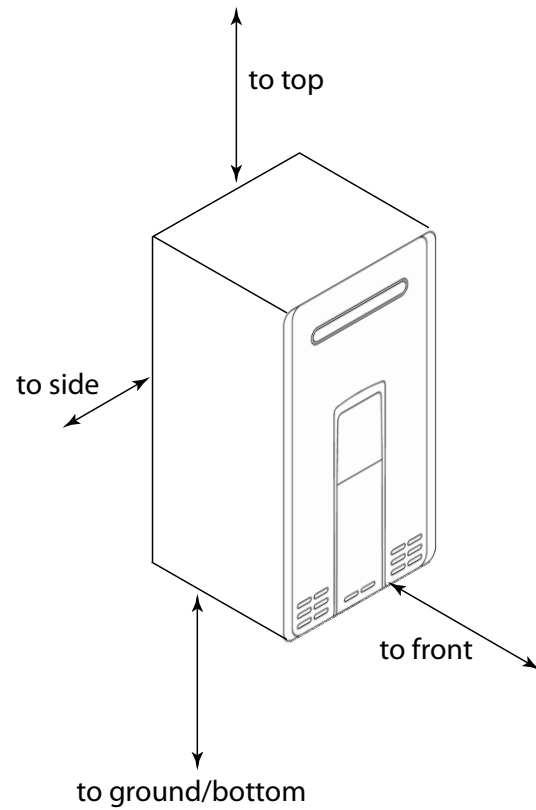
Indoor models: RL75i, RL94i

	to Combustibles inches (mm)	to Non-Combustibles inches (mm)
<b>Top of Heater</b>	6 * (152)	2 *(51)
<b>Back of Heater</b>	0 (zero)	0 (zero)
<b>Front of Heater</b>	6 (152)	6 (152)
<b>Sides of Heater</b>	2 (51)	1/2 (13)
<b>Ground/Bottom</b>	12 (305)	12 (305)
<b>Vent</b>	0 (zero)	0 (zero)

\* 0 inches from vent components and condensate drain line.

The clearance for servicing is 24 inches in front of the water heater.

For closet installation, clearance is 6 inches (152 mm) from the front.



Outdoor models: RL75e, RL94e

	to Combustibles inches (mm)	to Non-Combustibles inches (mm)
<b>Top of Heater</b>	12 (305)	2 (51)
<b>Back of Heater</b>	0 (zero)	0 (zero)
<b>Front (Panel)</b>	24 (610)	0 (zero)
<b>Front (Exhaust)</b>	24 (610)	24 (610)
<b>Sides of Heater</b>	6 (152)	1/8 (3.2)
<b>Ground/Bottom</b>	12 (305)	2 (51)

The clearance for servicing is 24 inches in front of the water heater.

## Maximum vent length (indoor models only)

1. Determine the number of 90 degree elbows in the vent system. (Two 45 degree elbows count as one 90 degree elbow.)
2. Refer to the table to find the maximum vent length based on the number of elbows.

Number of 90° Elbows	Maximum vent length
0	41 ft (12.5 m) ①
1	35 ft (10.7 m) ②
2	29 ft (8.8 m) ③
3	23 ft (7.0 m) ④
4	17 ft (5.2 m) ④
5	11 ft (3.4 m) ④
6	5 ft (1.5 m) ④

3. Adjust switch No. 1 in the SW1 DIP switch (tan switches) if required by the applicable note.

- ① If the length is greater than 21 ft (6.4 m) then move switch No. 1 (SW1) to OFF.
- ② If the length is greater than 15 ft (4.6 m) then move switch No. 1 (SW1) to OFF.
- ③ If the length is greater than 9 ft (2.7 m) then move switch No. 1 (SW1) to OFF.
- ④ Move switch No. 1 (SW1) to OFF.

Example: If you have one elbow then your maximum vent length is 35 feet (10.7 m). If your actual length is greater than 15 ft (4.6 m) then move switch no. 1 (SW1) to OFF.

### NOTICE

If you have a longer vent length (see above), switch No. 1 is required to be in the OFF position. This ensures the water heater will run properly. Blocked flue diagnostic codes and shutdowns may result if switch No. 1 is not in the correct position.

## Freeze Protection

Make sure that in case of freezing weather that the water heater and its water lines are protected to prevent freezing. Damage due to freezing is not covered by the warranty.

Loss of freeze protection may result in water damage from a burst heat exchanger or water lines.

With electrical power supplied, the water heater will not freeze when the outside air temperature is as cold as  $-22^{\circ}\text{F}$  ( $-30^{\circ}\text{C}$ ) for indoor models or is as cold as  $-4^{\circ}\text{F}$  ( $-20^{\circ}\text{C}$ ) for outdoor models, when protected from direct wind exposure. Because of the “wind-chill” effect, any wind or circulation of the air on the unit will reduce its ability to freeze protect.

The unit may be drained manually. However, it is highly recommended that:

- drain down solenoid valves are installed that will automatically drain the unit if power is lost. These are available in a kit, 104000059. (The condensate trap drain plug and water drain plug are not affected by the auto drain down solenoid valves and will have to be manually opened.)
- a surge protector with terminals is installed which allows the solenoid valves to operate if the unit is disabled due to a diagnostic code. This is available as 104000057.

In addition, the solenoid valves should be connected electrically to a surge protector with terminals. This allows the solenoid valves to operate if the water heater is disabled due to a diagnostic code.

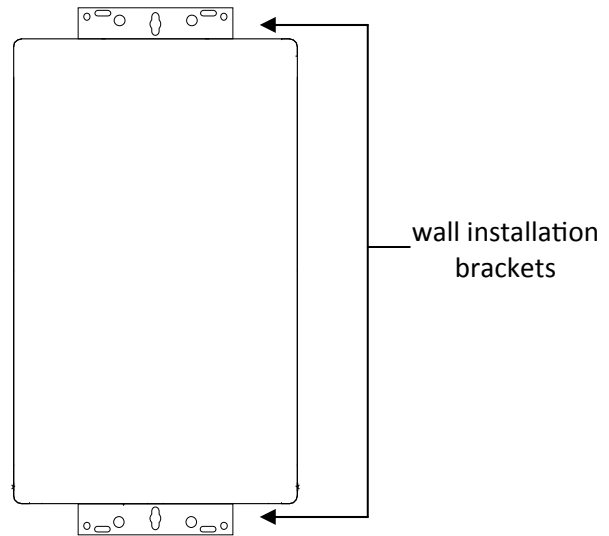
The freeze protection features will not prevent the external piping from freezing. It is recommended that hot and cold water pipes are insulated. Pipe cover enclosures may be packed with insulation for added freeze protection.

In the event of a power failure at temperatures below freezing the water heater should be drained of all water to prevent freezing damage. In addition, drain the condensate trap and drain line.

## Checklist to Determine Installation Location

- The water heater is not exposed to corrosive compounds in the air.
- The water heater location complies with the clearances.
- For indoor models, the planned venting will not exceed the maximum length for the number of elbows used.
- The planned venting termination/air intake location meets the clearances.
- The water supply does not contain chemicals or exceed total hardness that will damage the heat exchanger.
- A standard 3 prong 120 VAC, 60 Hz properly grounded wall outlet (for indoor models) or other 120 VAC, 60 Hz source is available.
- The installation must conform with local codes or, in the absence of local codes, with the *National Fuel Gas Code, ANSI Z223.1/NFPA 54*, or the *Natural Gas and Propane Installation Code, CSA B149.1*. If installed in a manufactured home, the installation must conform with the *Manufactured Home Construction and Safety Standard, Title 24 CFR, Part 3280* and/or *CAN/SCA Z240 MH Series, Mobile Homes*.
- Leave the entire manual taped to the water heater (indoor models), temperature controller (outdoor models), or give the entire manual directly to the consumer.**

## Mount to Wall



1. Identify the installation location and confirm that the installation will meet all required clearances.
2. Securely attach the water heater to the wall using any of the holes in the wall installation brackets which are at the top and bottom of the water heater. Ensure that the attachment strength is sufficient to support the weight. Refer to the weight of the water heater in the Specifications section. Use a leveling tool to ensure that the water heater is level. Proper operation requires that the water heater be level.

**NOTE:** The water heater should be installed in an upright position. Do not install upside down or on its side.

## Remove the Front Panel

Slide the plastic trim pieces on each side of the water heater to expose the screws.

Remove the 4 screws and pull off the front panel.

## Installation of venting (indoor models only)

Install the correct venting for your model according to the venting manufacturer's instructions and the guidelines below.

Refer to the manufacturer's technical literature for specific part numbers and instructions.

Manufacturer	Listed and Tested Vent Products for RL75i and RL94i	Telephone	Fax	Contact
Ubbink	Rolux Vent System	800-621-9419	678-829-1666	www.rinnai.us
Heat-Fab	Saf-T Vent SC system	800-772-0739	413-863-4803	custsvc@heat-fab.com, www.heatfab.com
Metal-Fab	Corr/Guard Vent/Air Intake System	800-835-2830	316-943-2717	info@mtlfab.com, www.metal-fabinc.com

### Venting Guidelines

#### **DO NOT**

- Do not use PVC, CPVC, ABS or galvanized material to vent this appliance.
- Do not combine vent components from different manufacturers.
- Vent diameter must not be reduced.
- Do not connect the venting system with an existing vent or chimney.
- Do not common vent with the vent pipe of any other water heater or appliance.

#### **MUST DO**

- This water heater is a direct vent water heater and therefore is certified and listed with the vent system. You must use vent components that are certified and listed with the water heater model.
- The vent system must vent directly to the outside of the building and use outside air for combustion.
- Avoid dips or sags in horizontal vent runs by installing supports per the vent manufacturer's instructions.
- Support horizontal vent runs every four feet and all vertical vent runs every six feet or in accordance with local codes.
- Venting should be as direct as possible with a minimum number of pipe fittings.
- Vent connections must be firmly pressed together so that the gaskets form an air tight seal.
- The vent piece connected to the water heater must be secured with one self-tapping screw.

#### **INFORMATION**

- Refer to the instructions of the vent system manufacturer for component assembly instructions.
- If the vent system is to be enclosed, it is suggested that the design of the enclosure shall permit inspection of the vent system. The design of such enclosure shall be deemed acceptable by the installer or the local inspector.

#### **NOTICE**

If it becomes necessary to access an enclosed vent system for service or repairs, Rinnai is not responsible for any costs or difficulties in accessing the vent system. The warranty does not cover obtaining access to a vent system in an enclosed environment.

## Flue Installation (indoor models only)

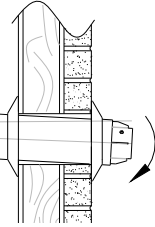
Install the venting termination according to the diagrams and instructions below.

### Horizontal Termination without using the Condensate Collector

#### **WARNING**

If the condensate collector is not used, the drain pipe must be capped to prevent exhaust gases and condensate from entering the building. The cap is supplied on the appliance.

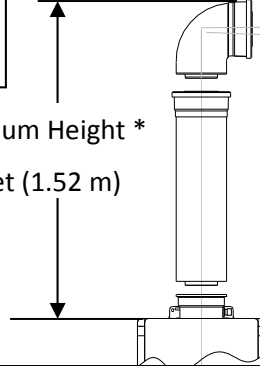
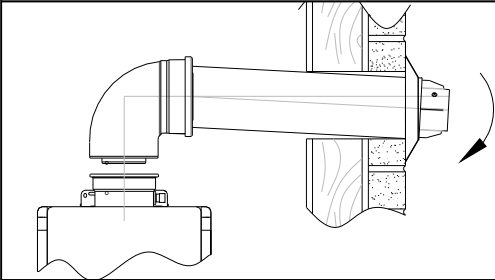
\* The condensate collector must be used in horizontal terminations if a vertical rise in the vent system exceeds 5ft.



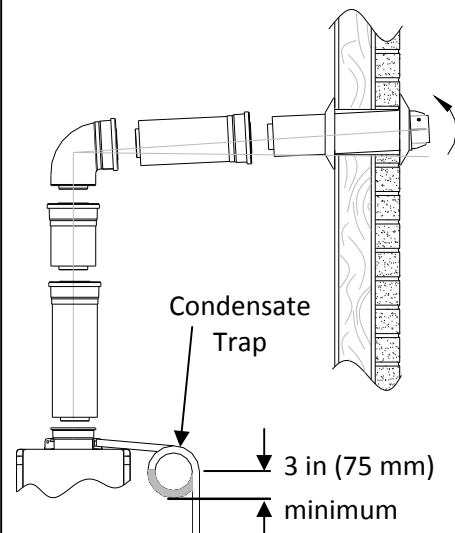
Maximum Height \*  
5 feet (1.52 m)

Regions of cold climate will create more condensate in the vent system. The condensate collector should be used in cold climates.

If more than one elbow is used in the vertical section the condensate collector must be used.

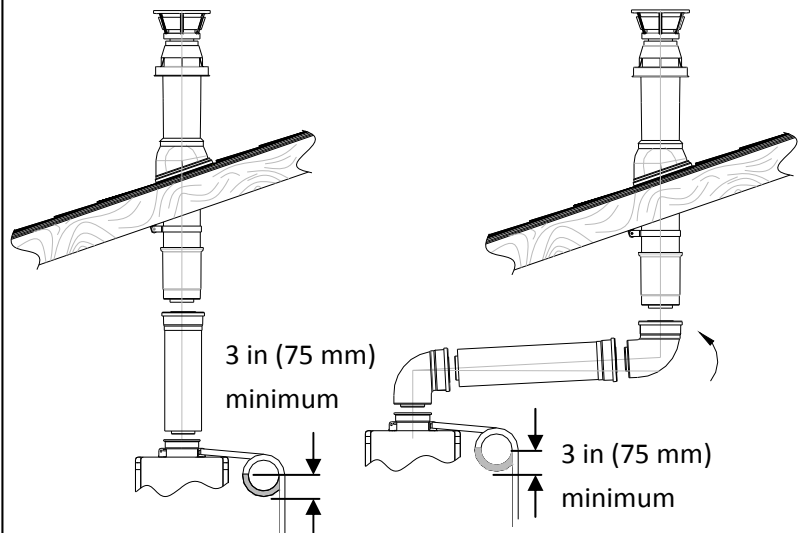


### Horizontal Termination using the Condensate Collector



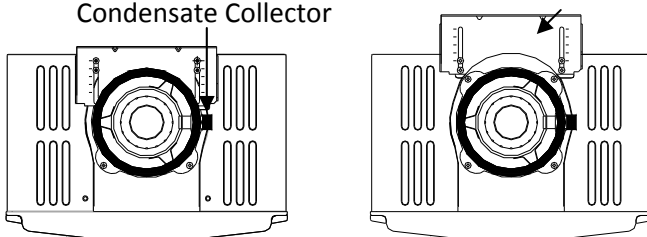
### Vertical Termination

(condensate collector must be used in all installations)



### Condensate Collector

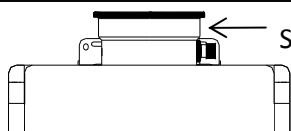
### Bracket



To adjust the condensate collector position or to replace the female vent top with a male vent top:

1. Loosen the 4 screws at the rear bracket
2. Slide the bracket away from the female vent top.
3. Remove the 4 screws attaching the female vent top to the water heater.
4. Lift up the female vent top and reposition as desired (or replace with a male vent top).
5. Install the 4 screws at the vent top and tighten the 4 screws at the bracket.

### Securing Screw



Secure the first vent component to the water heater with one self-tapping screw at the hole located above the condensate collector.

## Condensate (indoor models only)

Condensate formation can occur in high efficiency direct vent appliances. Without proper drainage condensate will damage the heat exchanger.

To prevent condensate damage follow these instructions.

### **DO NOT**

- Do not allow condensate to enter the water heater.
- Do not connect the condensate drain pipe directly to the rain sewer.
- Do not connect the condensate drain line with an air conditioning evaporator coil drain.

### **MUST DO**

- Use only vent that is approved and identified as acceptable for your particular model.
- For vertical terminations, install a condensate drain and trap as close as possible to the appliance.
- Slope the venting toward the appliance according to the vent manufacturers installation instructions.
- All condensate must drain and be disposed of according to local codes.
- Use only corrosion resistant materials for the condensate drain lines such as PVC pipe or plastic hose.
- The condensate drain pipe (along its entire length) must be at least the same diameter as the drain line, (5/8 inch NPT).
- The end of the condensate drain pipe should be open to the atmosphere. The end should not be under water or other substances.
- To minimize freezing of the condensate, run the condensate drain line through an interior wall or between insulation and an interior wall.
- The condensate collector should be used for all hydronic heating applications.

### **INFORMATION**

- A condensate trap is available, P/N 222053.
- Regions of cold climate will create more condensate in the vent system. The condensate collector should be used in cold climates.
- The condensate drain pipe should be as short as possible and have a downward pitch.

## Checklist for Venting and Condensate (indoor models only)

- Verify proper clearances around the vents and air intakes.
- Ensure you have used the correct venting products for the model installed and that you have completely followed the venting manufacturer's installation instructions and these installation instructions.
- Verify that the vent pipe has a downward slope or grade to the outside of 1/4 inch per foot (1.2° ) OR if the vent pipe is sloped toward the water heater (as some local codes require), that a condensate collector is installed to allow condensation to drain away from the water heater to a proper drain source.
- Verify that condensate will not be allowed to drain back into the water heater.
- Verify that the vent system does not exceed the maximum length for the number of elbows used.

# Installation of Plumbing

## Pressure Relief Valve Requirements

Install the pressure relief valve according to these instructions.

An approved pressure relief valve is required by the *American National Standard (ANSI Z21.10.3)* for all water heating systems, and shall be accessible for servicing.

### **DO NOT**

- Do not plug the relief valve and do not install any reducing fittings or other restrictions in the relief line. The relief line should allow for complete drainage of the valve and the line.
- Do not place any other type valve or shut off device between the relief valve and the water heater.

### **MUST DO**

- The relief valve must comply with the standard for *Relief Valves and Automatic Gas Shutoff Devices for Hot Water Supply Systems ANSI Z21.22* and /or the standard *Temperature, Pressure, Temperature and Pressure Relief Valves and Vacuum Relief Valves, CAN1-4.4*.
- The relief valve must be rated up to 150 psi and to at least the maximum BTU/hr of the appliance.
- The discharge from the pressure relief valve should be piped to the ground or into a drain system to prevent exposure or possible burn hazards to humans or other plant or animal life. Follow local codes. Water discharged from the relief valve could cause severe burns instantly, scalds, or death.
- The pressure relief valve must be manually operated once a year to check for correct operation.
- The relief valve should be added to the hot water outlet line and near the hot water outlet according to the manufacturer's instructions. **DO NOT** place any other type valve or shut off device between the relief valve and the water heater.

## **INFORMATION**

- If a relief valve discharges periodically, this may be due to thermal expansion in a closed water supply system. Contact the water supplier or local plumbing inspector on how to correct this situation. Do not plug the relief valve.
- The *American National Standard (ANSI Z21.10.3)* does not require a combination temperature and pressure relief valve for this appliance. However, local codes may require a combination temperature and pressure relief valve.

## Isolation Valves

Isolation valves are included with this water heater. Rinnai strongly recommends the installation of isolation valves on the cold and hot water lines because they provide the ability to isolate the water heater from the structure's plumbing and allow quick access to flush the heat exchanger. Flushing the heat exchanger regularly is required as part of the proper maintenance for this water heater.

## Piping Requirements

A manual water control valve must be placed in the water inlet connection to the water heater before it is connected to the water line. Unions may be used on both the hot and cold water lines for future servicing and disconnection of the unit.

### **DO NOT**

- Do not introduce toxic chemicals such as those used for boiler water treatment to the potable water used for space heating.

### **MUST DO**

- The piping (including soldering materials) and components connected to this appliance must be approved for use in potable water systems.
- Purge the water line to remove all debris and air. Debris will damage the water heater.
- If the appliance will be used as a potable water source, it must not be connected to a system that was previously used with a nonpotable water heating appliance.
- Ensure that the water filter on the water heater is clean and installed.

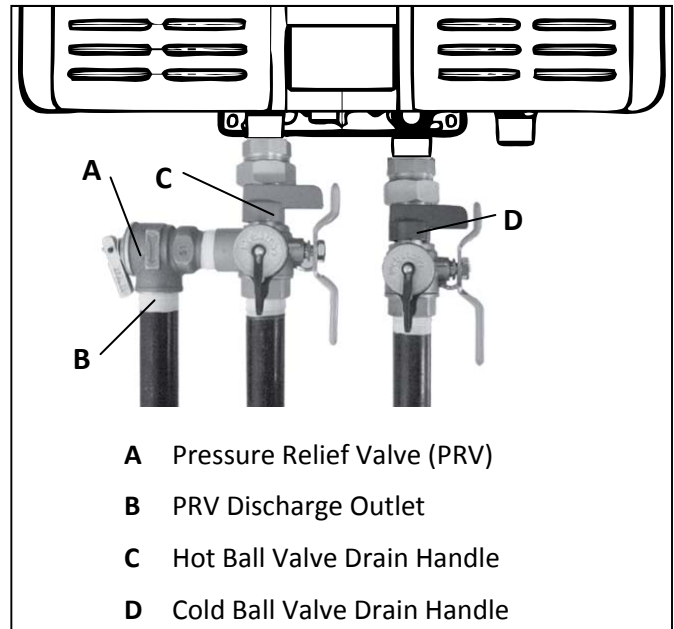


## Isolation Valves and Pressure Relief Valve

The isolation valves provide the ability to isolate the water heater from the structure's plumbing and allow quick access to flush the heat exchanger. Check with local codes to determine if a pressure and temperature relief valve is required. The included valves meet *American National Standard (ANSI Z21.10.3) / Canadian Standard (CSA 4.3)* and are ANSI/NSF 61 approved for potable water.

### Isolation Valves Installation Instructions:

1. Wrap the ends of the threaded water inlet & outlet on the tankless water heater, as well as the threaded end of the approved pressure relief valve with a minimum of 5 wraps of Teflon® tape.
2. Screw the pressure relief valve into the 3/4" threads opposite the wing handle on the HOT water service valve. (RED drain handle) (see Pressure Relief Valve Section for proper installation requirements)
3. Loosen the 3/4" union nut on the HOT water valve and connect to the HOT water outlet on the tankless water heater. If nut is removed, ensure that you realign the tailpiece accurately to the valve and that the black washer is positioned such that the raised metal edge of the valve is inside the washer.
4. Align the direction of the HOT water drain to the desired position.
5. Tighten the union assembly to the HOT water valve using approximately 15 foot lbs of torque.
6. Repeat steps 3-5 for the COLD water valve. (BLUE drain handle) for connection to the COLD water inlet on the tankless water heater.
7. Connect the INLET on the COLD water valve to the MAIN SOURCE of the water supply.
8. Connect the OUTLET on the HOT water valve to the HOT WATER plumbing system.
9. Ensure that both drain valve lever handles are in the closed position (perpendicular to the drain portion of the body).



### Pressure Relief Valve Installation Instructions:

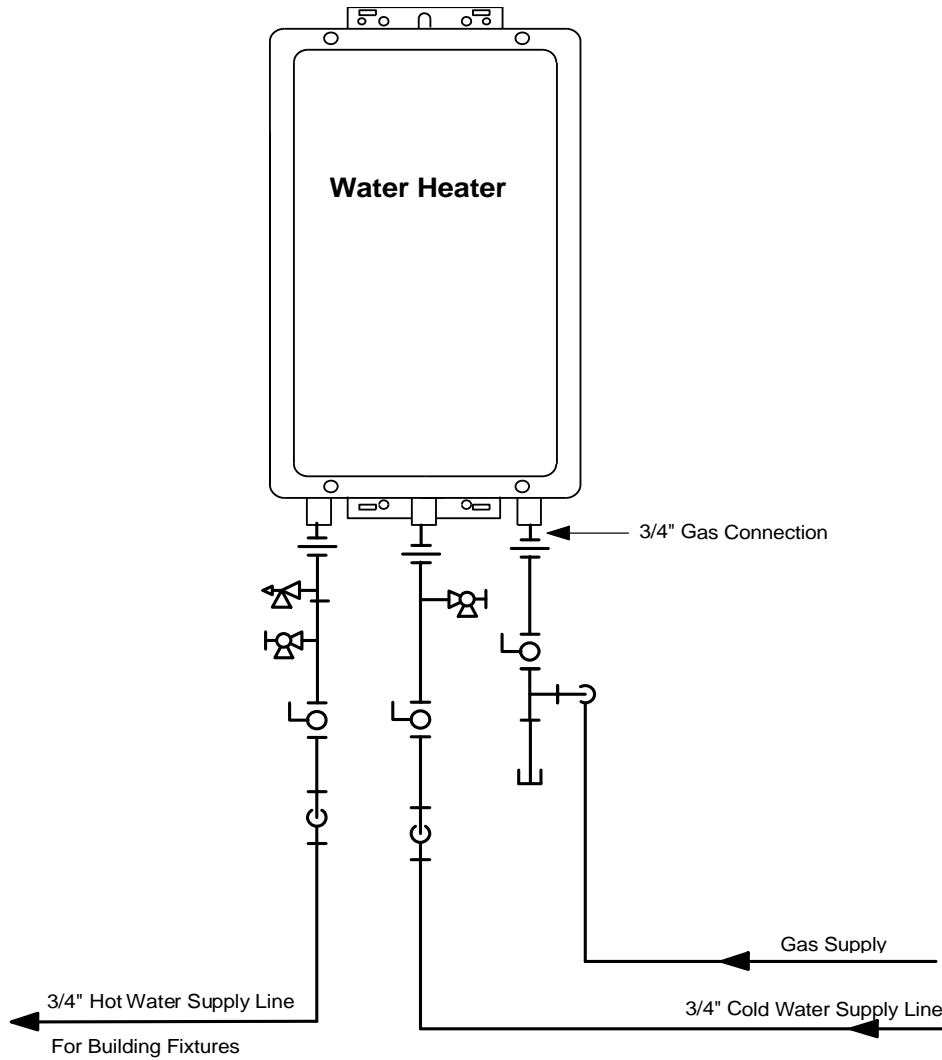
The PRV must be connected by the threaded connection opposite the wing handle on the hot water valve (designated by the RED drain handle) or the threaded connection on the side of the relocation fitting above the hot water valve. Installation must maintain a 3/4" port size with no shut off valve or line restriction in-between the appliance and the PRV. The discharge line from the PRV should pitch downward and terminate 6" above drains where discharge will be clearly visible. The discharge end of the line shall be plain (unthreaded) and a minimum of 3/4" in diameter. The discharge line material must be suitable for water at least 180° Fahrenheit and can be no more than 30 feet in length and contain no more than 4 elbows or bends. No valve of any type may be installed in the discharge line of the pressure relief valve.

### Pressure Relief Valve Maintenance:

For proper care of this approved pressure relief valve, it is recommended that the valve is manually operated once a year. In doing so, it will be necessary to take precautions with regard to the discharge of potentially scalding hot water under pressure. Ensure discharge has a place to flow. Contact with your body or other property may cause damage or harm.

Please note that only the PRV in this package is certified by CSA International as an approved item.

# Piping Diagram for Basic Installation



<b>KEY</b>		<p>This is not an engineered drawing. It is intended only as a guide and not as a replacement for professionally engineered project drawings. This drawing is not intended to describe a complete system. It is up to the contractor/engineer to determine the necessary components and configuration of the particular system being installed. This drawing does not imply compliance with local building code requirements. It is the responsibility of the contractor/engineer to ensure installation is in accordance with all local building codes. Confer with local building officials before installation.</p>

## Connect Water Heater to Water Supply

Water connections to the tankless water heater should follow all state and local plumbing codes.

If this is a standard installation, refer to the Piping Diagram for Basic Installation.

1. Plumb water supply to the tankless water heater on the 3/4" MNPT connection at the bottom of the unit marked "Water Inlet", which is the cold water supply.
2. Plumb the building hot water supply to the 3/4" MSPT connection marked "Water Outlet", which is the hot water supply.

If a pipe cover will be installed, make sure water lines to the water heater fit.

## Checklist for Plumbing

- Purge the water line of all debris and air by closing the hot isolation valve and opening the cold isolation valve and its drain. **Debris will damage the water heater.** Use a bucket or hose if necessary.
- Ensure that hot and cold water lines are not crossed to the unit and are leak free.
- Ensure that a pressure relief valve is installed with a rating that exceeds the BTU input of the water heater model. Refer to the rating plate on the side of the water heater for BTU input.
- Clean the inlet water filter by closing the cold and hot water inlet isolation (shut-off) valves. Put a bucket under the filter at the bottom of the water heater to catch any water that is contained inside the unit. Unscrew the water filter. Rinse the filter to remove any debris. Install the filter and open the isolation valves.
- Check for proper water pressure to the water heater. Minimum water pressure is 50 psi. Rinnai recommends 60-80 psi for maximum performance.

## Installation of Gas Supply

### **WARNING**

1. If you are not knowledgeable or qualified to install gas lines or connections, then contact a licensed professional to install the gas supply.
2. Turn off 120v power supply.
3. Turn off the gas.
4. Gas is flammable. Do not smoke or provide other ignition sources while working with gas.
5. Do not turn on the water heater or gas until all fumes are gone.

## General Instructions

### **MUST DO**

- A manual gas control valve must be placed in the gas supply line to the water heater. A union can be used on the connection above the shut off valve for the future servicing or disconnection of the unit.
- Check the type of gas and the gas inlet pressure before connecting the water heater. If the water heater is not of the gas type that the building is supplied with, DO NOT connect the water heater. Contact the dealer for the proper unit to match the gas type.
- Check the gas supply pressure immediately upstream at a location provided by the gas company. Supplied gas pressure must be within the limits shown in the Specifications section with all gas appliances operating.
- Before placing the appliance in operation all joints including the heater must be checked for gas tightness by means of leak detector solution, soap and water, or an equivalent nonflammable solution, as applicable. (Since some leak test solutions, including soap and water, may cause corrosion or stress cracking, the piping shall be rinsed with water after testing, unless it has been determined that the leak test solution is non-corrosive.)
- Use approved connectors to connect the unit to the gas line. Purge the gas line of any debris before connection to the water heater.

- Any compound used on the threaded joint of the gas piping shall be a type which resists the action of liquefied petroleum gas (propane / LPG).
- The gas supply line shall be gas tight, sized, and so installed as to provide a supply of gas sufficient to meet the maximum demand of the heater and all other gas consuming appliances at the location without loss of pressure.

### **INFORMATION**

- Refer to an approved pipe sizing chart if in doubt about the size of the gas line.

### Size the gas pipe

The gas supply must be capable of handling the entire gas load at the location. Gas line sizing is based on gas type, the pressure drop in the system, the gas pressure supplied, and gas line type. For gas pipe sizing in the United States, refer to the *National Fuel Gas Code, NFPA 54*. The below information is provided as an example. The appropriate table from the applicable code must be used.

1. For some tables, you will need to determine the cubic feet per hour of gas required by dividing the gas input by the heating value of the gas (available from the local gas company). The gas input needs to include all gas products at the location and the maximum BTU usage at full load when all gas products are in use.
2. Use the table for your gas type and pipe type to

$$\text{Cubic Feet per Hour (CFH)} = \frac{\text{Gas Input of all gas products (BTU / HR)}}{\text{Heating Value of Gas (BTU / FT}^3\text{)}}$$

find the pipe size required. The pipe size must be able to provide the required cubic feet per hour of gas or the required BTU/hour.

Example:

The heating value of natural gas for your location is 1000 BTU/FT<sup>3</sup>. The gas input of the RL94i is 199,000 BTU/HR. Additional appliances at the location require 65,000 BTU/hr. Therefore the cubic feet per hour = (199,000 + 65,000) / 1000 = 264 FT<sup>3</sup>/HR. If the pipe length is 10 feet then the 3/4 inch pipe size is capable of supplying 264 FT<sup>3</sup>/HR of natural gas.

### **Pipe Sizing Table - Natural Gas**

Schedule 40 Metallic Pipe

Inlet Pressure: less than 2 psi (55 inches W.C.)

Pressure Drop: 0.3 inches W.C.

Specific Gravity: 0.60

cubic feet per hour

Length	Pipe Size (inches)			
	3/4	1	1 1/4	1 1/2
10	273	514	1060	1580
20	188	353	726	1090
30	151	284	583	873
40	129	243	499	747
50	114	215	442	662
60	104	195	400	600
70	95	179	368	552
80	89	167	343	514
90	83	157	322	482
100	79	148	304	455

### **Pipe Sizing Table - Propane Gas**

Schedule 40 Metallic Pipe

Inlet Pressure: 11.0 inches W.C.

Pressure Drop: 0.5 inches W.C.

Specific Gravity: 1.50

Capacity in Thousands of BTU per Hour

Length	Pipe Size (inches)			
	1/2	3/4	1	1 1/4
10	291	608	1150	2350
20	200	418	787	1620
30	160	336	632	1300
40	137	287	541	1110
50	122	255	480	985
60	110	231	434	892
80	101	212	400	821
100	94	197	372	763

## Connect Electricity

### **⚠ WARNING**

Do not use an extension cord or an adapter plug with this appliance.

The water heater must be electrically grounded in accordance with local codes and ordinances or, in the absence of local codes, in accordance with the National Electrical Code, ANSI/NFPA No. 70.

Indoor water heaters are equipped with a three-prong (grounding) plug for your protection against shock hazard and should be plugged directly into a properly grounded three-prong receptacle. Do not cut or remove the grounding terminal from this plug.

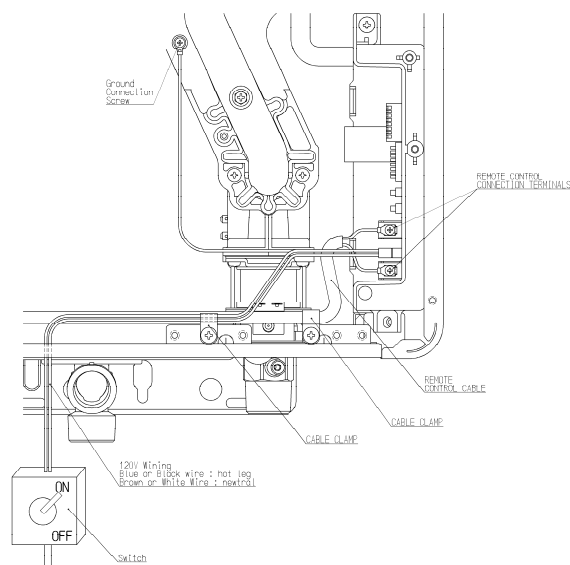
Do not rely on the gas or water piping to ground the water heater. A screw is provided in the junction box for the grounding connection.

The water heater requires 120 VAC, 60 Hz power from a properly grounded circuit.

If using the 5 foot long power cord, plug it into a standard 3 prong 120 VAC, 60 Hz properly grounded wall outlet.

On outdoor models, a disconnect switch must be provided and installed for the incoming 120 VAC power. It should be a type that is suitable for outdoor use. Check the National Electrical Code, ANSI/NFPA 70 and your local codes for a proper switch type to use in your area.

The wiring diagram is located on the Technical Sheet attached to the inside of the front cover.



## Adjust for High Altitude

On the SW1 DIP switch (tan switches), set switches 2 and 3 to the values shown in table below for your altitude. The default setting for the appliance is 0-2000 ft (0-610 m) with switches No. 2 and No. 3 in the OFF position.

When the DIP switch is adjusted, it is not necessary to adjust the gas pressure setting for high altitude.

Altitude	SW1 Switch No. 2	SW1 Switch No. 3
0-2000 ft (0-610 m)	OFF	OFF
2001-5200 ft (610-1585 m)	OFF	ON
5201-7700 ft (1585-2347 m)	ON	OFF
7701-10200 ft (2347-3109 m)	ON	ON

## Adjust for Vent Length (indoor models only)

Adjust switch No. 1 in the SW1 DIP switch (tan switches) if required. Refer to the section “Maximum vent length”.

## Checklist for Gas and Electricity

- A manual gas control valve is placed in the gas line to the water heater.
- Check the gas lines and connections for leaks.
- Confirm that the gas inlet pressure is within limits.
- Confirm that the water heater is rated for the gas type supplied.
- Confirm that the electricity is supplied from 120 VAC, 60 Hz power source and is in a properly grounded circuit.
- An extension cord or an adapter plug has not been used with the water heater.
- For indoor models verify that switch No. 1 in the SW1 DIP switch (tan switches) has been adjusted for vent length if necessary. Refer to the section on Maximum Vent Length.

# Installation of Temperature Controller

## **! WARNING**

Turn the power off. Do not attempt to connect the temperature controllers with the power on. Although the controller is a low voltage device, there is 120 volt potential next to the temperature controller connections inside the unit.

Do not connect the temperature controller to the 120VAC terminals provided for the optional solenoid drain valves.

Indoor models have their controller built into the front panel. Additional controllers can be installed.

### Controller Location

- The controller should be out of reach of small children.
- Avoid locations where the controller may become hot (near the oven or radiant heater).
- Avoid locations in direct sunlight. The digital display may be difficult to read in direct sunlight.
- Avoid locations where the temperature controller could be splashed with liquids.
- Do not install in locations where it can be adjusted by the public.

### Cable Lengths and Sizes

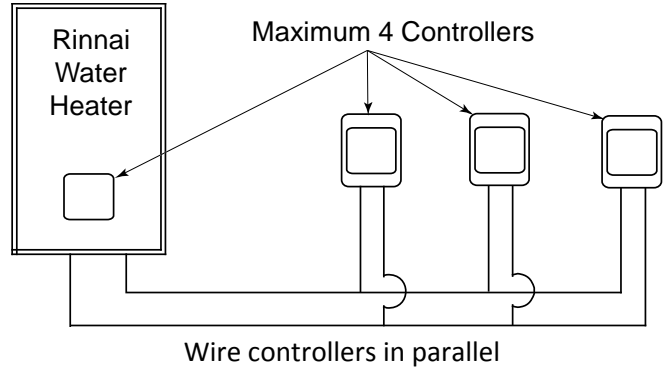
The cable for the temperature controller should be a non-polarized two-core cable with a minimum gauge of 22 AWG. The maximum cable length from each controller to the water heater depends on the total number of wired controllers connected to the water heater.

Number of Wired Controllers	Maximum Cable Length for each Controller to Water Heater
1	328 ft (100 m)
2	164 ft (50 m)
3 or 4*	65 ft (20 m)

\* Only 3 additional controllers can be wired to the indoor water heater.

### Configurations

A maximum of 4 temperature controllers can be installed for a water heater or bank of water heaters. This includes the controller built into an indoor water heater. Controllers can only be wired in parallel. Controllers cannot be wired in series.



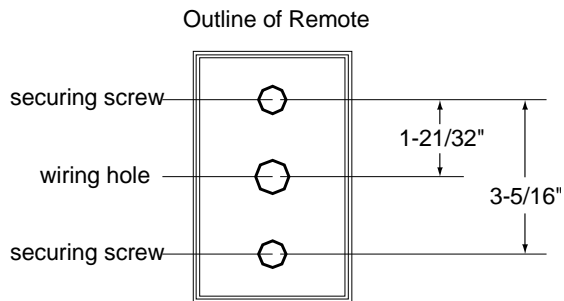
The 4 temperature controllers can consist of multiple MC-91-2 or MCC-91-2 but only one BC-100V and only one MC-100V.

The clock function on the BC-100V will only be available if an MC-100V is also connected.

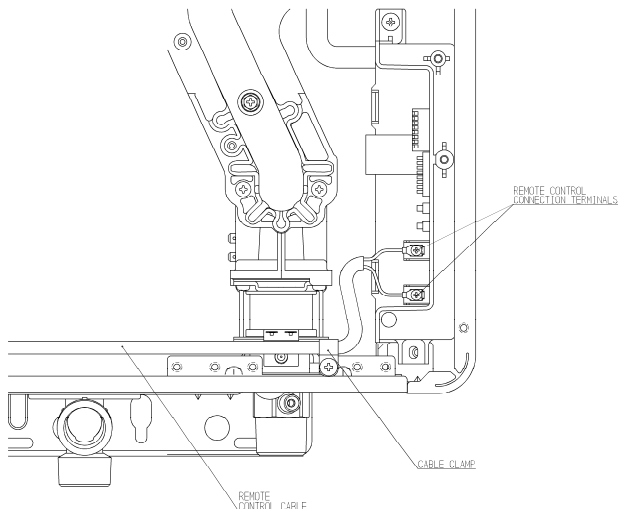
If 4 MC-91-2's are installed, simultaneously press the Priority and On/Off buttons on the fourth controller until a beep sounds.

## Mounting the controller

1. Make three holes in the wall as shown.



2. Run the cable between the controller and the water heater or the controller and another controller.
3. Remove the face plate from the temperature controller using a screwdriver.
4. Connect the cable to the temperature controller.
5. Mount the controller to the wall using the holes drilled in step 1.
6. Disconnect the power from the water heater.
7. Remove the plastic cover from the PCB and electrical connections.
8. Thread the cable through the access hole at the base of the unit and connect the wires to the controller terminals on the right hand side bottom of the PCB.
9. Secure the controller cable using the clamp provided.
10. Replace plastic cover over PCB and then replace the cover of the water heater.



## Final Checklist

- The water heater is not subject to corrosive compounds in the air.
- The water supply does not contain chemicals or exceeds total hardness that will damage the heat exchanger.
- Clearances from the water heater unit are met.
- Clearances from the vent termination / air intake are met.
- For indoor models, ensure you have used the correct venting products for the model installed and that you have completely followed the venting manufacturer's installation instructions and these installation instructions.
- For indoor models, verify that the vent system does not exceed the maximum length for the number of elbows used.
- For indoor models verify that switch No. 1 in the SW1 DIP switch (tan switches) has been adjusted for vent length if necessary. Refer to the section on Maximum Vent Length.
- For indoor models, verify that the vent pipe has a downward slope or grade to the outside of 1/4 inch per foot (1.2° ) OR if the vent pipe is sloped toward the water heater (as some local codes require), that a condensate collector is installed to allow condensation to drain away from the water heater to a proper drain source.
- For indoor models, verify that condensate will not be allowed to drain back into the water heater.
- Purge the water line of all debris and air by closing the hot isolation valve and opening the cold isolation valve and its drain. **Debris will damage the water heater.** Use a bucket or hose if necessary.
- Ensure that hot and cold water lines are not crossed to the unit and are leak free.
- Clean the inlet water filter by closing the cold and hot water inlet isolation (shut-off) valves. Put a bucket under the filter at the bottom of the water heater to catch any water that is contained inside the unit. Unscrew the water filter. Rinse the filter to remove any debris. Install the filter and open the isolation valves.
- Ensure that a pressure relief valve is installed with a rating that exceeds the BTU input of the water heater model. Refer to the rating plate on the side of the water heater for BTU input.
- A manual gas control valve has been placed in the gas line to the water heater.
- Check the gas lines and connections for leaks.
- Confirm that the gas inlet pressure is within limits.
- Confirm that the water heater is rated for the gas type supplied.
- Confirm that the electricity is supplied from a 120 VAC, 60 Hz power source, is in a properly grounded circuit, and turned on.
- Verify the temperature controller is functioning properly.
- Verify that switches No. 2 and No. 3 in the SW1 DIP switch (tan switches) is set correctly for your altitude.
- Verify the system is functioning correctly by connecting your manometer to the gas pressure test port on the water heater. Operate all gas appliances in the home or facility at high fire. The inlet gas pressure at the water heater must not drop below that listed on the rating plate.
- If the water heater is not needed for immediate use, then drain the water from the heat exchanger.
- Install the front panel.
- Explain to the customer the importance of not blocking the vent termination or air intake.
- Explain to the customer the operation of the water heater, safety guidelines, maintenance, and warranty.
- The installation must conform with local codes or, in the absence of local codes, with the *National Fuel Gas Code, ANSI Z223.1/NFPA 54*, or the *Natural Gas and Propane Installation Code, CSA B149.1*. If installed in a manufactured home, the installation must conform with the *Manufactured Home Construction and Safety Standard, Title 24 CFR, Part 3280* and/or *CAN/SCA Z240 MH Series, Mobile Homes*.
- Inform the consumer if the isolation valves are not installed or if a water softening system is not installed.
- Leave the entire manual taped to the water heater (indoor models), temperature controller (outdoor models), or give the entire manual directly to the consumer.**



# Technical Data

## Specifications

		<b><i>RL75i</i></b>	<b><i>RL94i</i></b>	<b><i>RL75e</i></b>	<b><i>RL94e</i></b>
Minimum Gas Consumption Btu/h		10,300			
Maximum Gas Consumption Btu/h		180,000	199,000	180,000	199,000
Hot water capacity (Min - Max) *		0.26 - 7.5 GPM (1.0 - 28.5 L/min)	0.26 - 9.8 GPM (1.0 - 37.0 L/min)	0.26 - 7.5 GPM (1.0 - 28.5 L/min)	0.26 - 9.8 GPM (1.0 - 37.0 L/min)
Temperature Setting (no controller)		120° F (49° C) or 140° F (60° C)			
Maximum Temp Setting (residential)		Selectable at 120° F (49° C) or at 140° F (60° C)			
Maximum Temp Setting (MCC-91 controller)		160° F (71° C)	185° F (85° C)	160° F (71° C)	185° F (85° C)
Minimum Temperature Setting		98° F (37° C)			
Weight		45.6 lb (20.7 kg)	46.3 lb (21.0 kg)	43.6 lb (19.8 kg)	44.3 lb (20.1 kg)
Energy Factor		0.82			
Noise level		49 dB (excluding start up or shutdown)			
Electrical Consumption	Normal	76 W	97 W	57 W	65 W
	Standby	2 W			
	Anti-frost Protection	120 W		104 W	
By-Pass Control		Fixed	Electronic	Fixed	Electronic
Gas Supply Pressure	Natural Gas	5.0 - 10.5 inch W.C.			
	Propane	8.0 - 13.5 inch W.C.			
Type of Appliance		Direct Vent, Tankless, Temperature controlled continuous flow gas hot water system			
Connections		Gas Supply: 3/4" MNPT, Cold Water Inlet: 3/4" MNPT, Hot Water Outlet: 3/4" MNPT			
Ignition System		Direct Electronic Ignition			
Electric Connections		Appliance: AC 120 Volts, 60Hz. Temperature Controller: DC 12 Volts (Digital)			
Water Temperature Control		Simulation Feedforward and Feedback			
Water Supply Pressure		Minimum Water Pressure: 50 PSI (Recommended 60-80 PSI for maximum performance)			
Maximum Water Supply Pressure		150 PSI			
Temperature Control Cable		Non-Polarized Two Core Cable (Minimum 22 AWG)			
Energy Star Qualified		Yes			
Certified for installation in manufactured (mobile) homes		Yes			
Complies with South Coast Air Quality Management District 14 ng/J or 20 ppm NOx emission levels		Yes	No	Yes	Yes

\* Minimum flow may vary slightly depending on the temperature setting and the inlet water temperature.

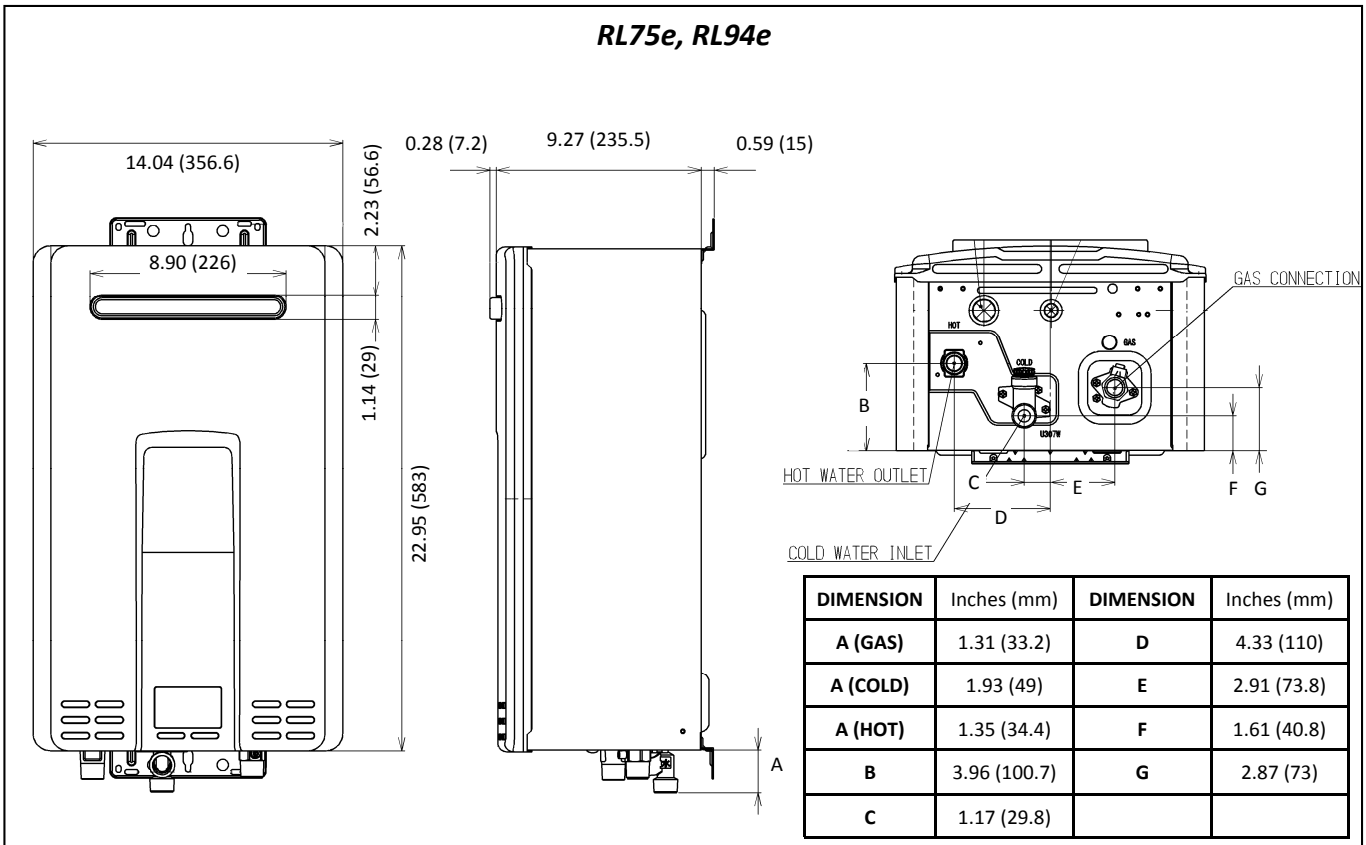
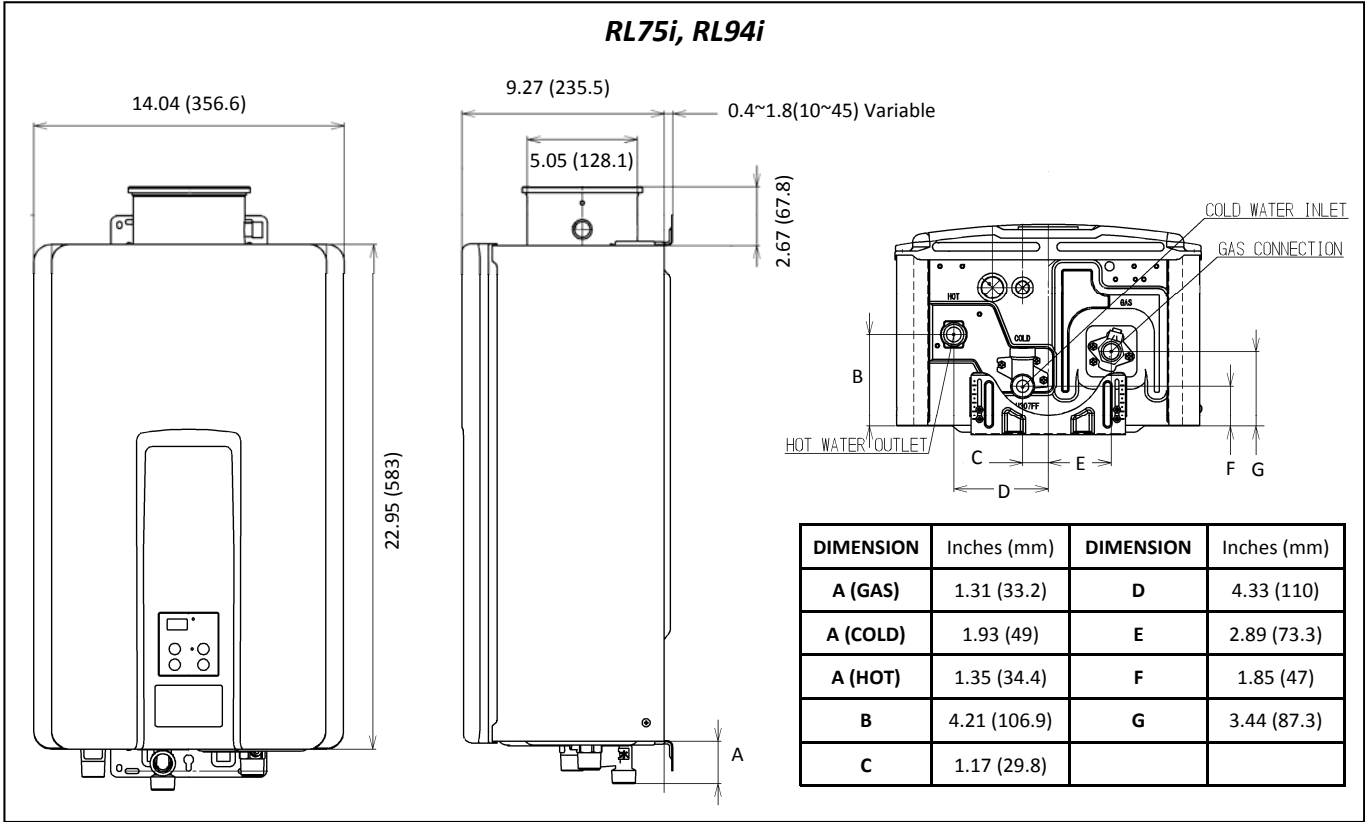
Minimum activation flow is 0.4 GPM (1.5 L/min).

Our products are continually being updated and improved; therefore, specifications are subject to change without prior notice.

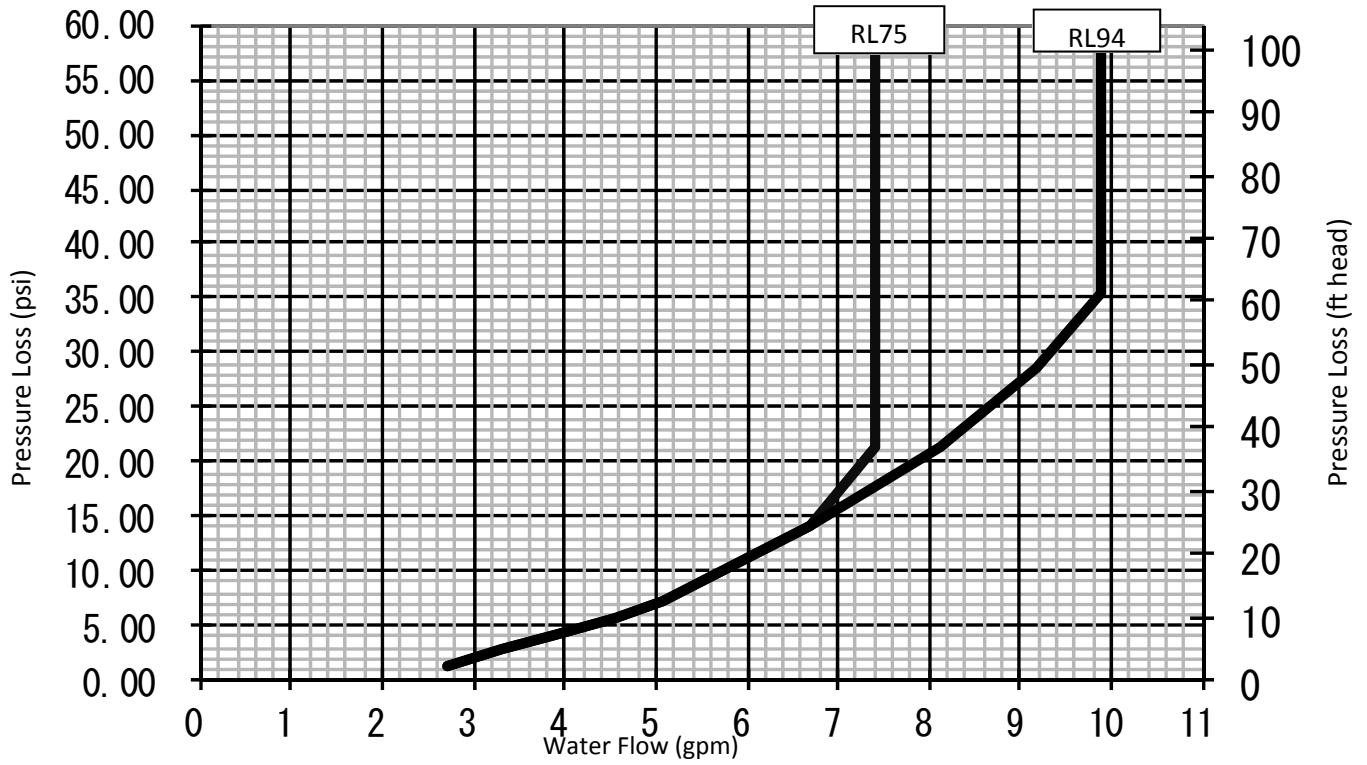
The maximum inlet gas pressure must not exceed the value specified by the manufacturer. The minimum value listed is for the purpose of input adjustment.

# Dimensions

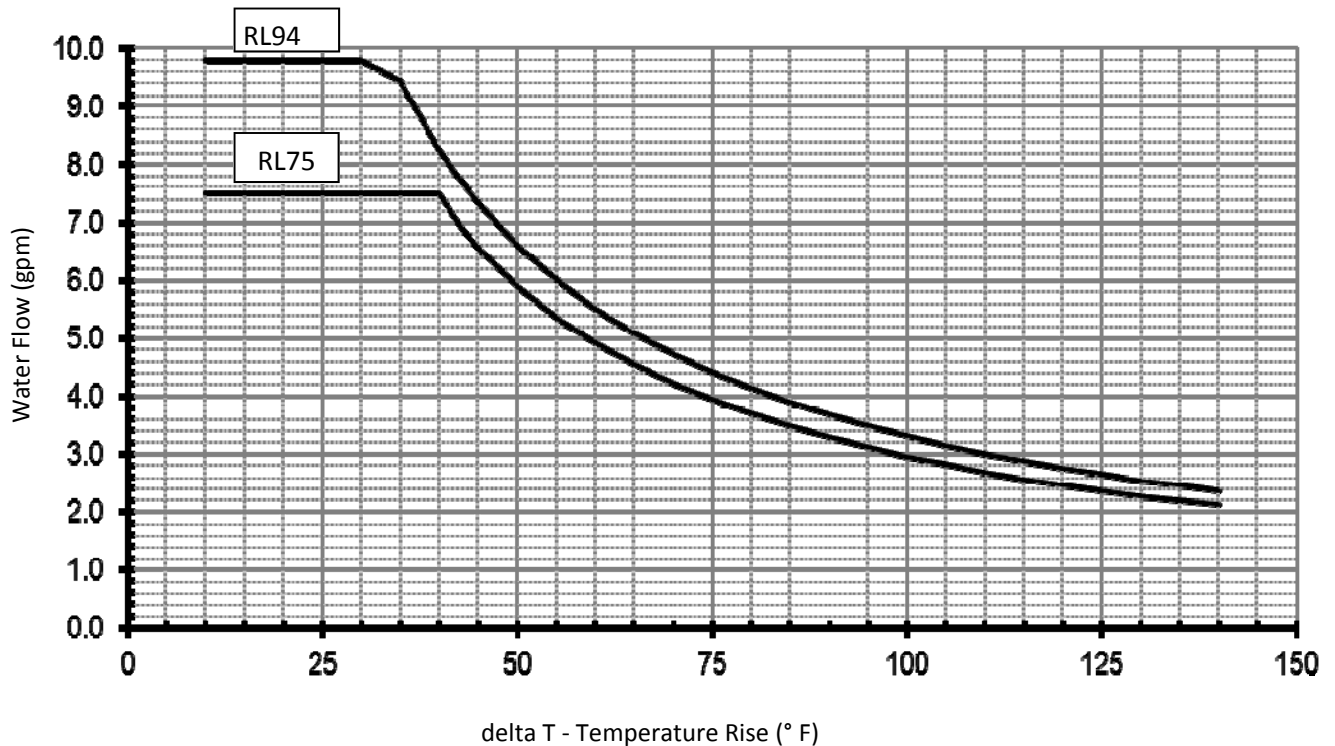
Inches (millimeters)



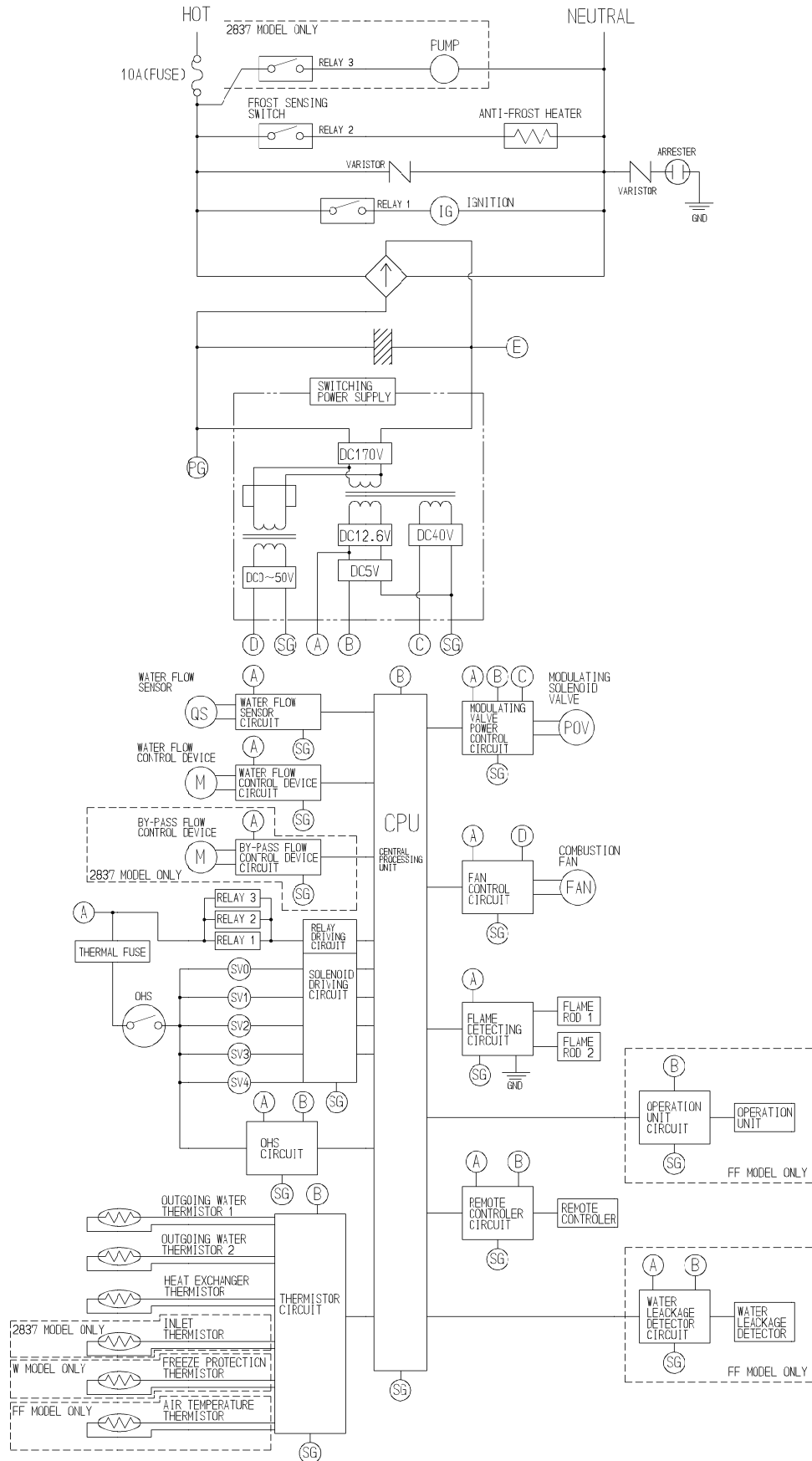
## Pressure Drop Curve



## Water Flow Curve



# Ladder Diagram



## Recirculation Mode (RL94 Models)

The Rinnai water heater has the ability to control a recirculation pump. Two modes are available, Economy and Comfort, which recirculate the water in the plumbing system to provide hot water more quickly when a tap is opened.

Recirculation mode is for residential installations only. Recirculation mode cannot be used with the Bath Fill controller (BC-100V), an air handler, or with multiple Rinnai water heaters.

The maximum Rinnai temperature setting while in recirculation mode is 140°F (60°C).

### Pump Requirements

Voltage: 120V, 60 Hz

Amperage: less than 2 amps

NOTE: The Rinnai PC board will be damaged if amperage exceeds 2 Amps.

Check valve: An integral flow check (IFC) valve is required. See plumbing diagram.

### Pump Size

The pump should be sized for 2.5 GPM at the pressure loss through the tankless water heater and the supply and return plumbing in the recirculation loop.

For more information on sizing the pump refer to the Rinnai Circ-Logic™ Guide or the section “Pump Sizing for Circulation” in the Rinnai Hot Water System Design Manual.

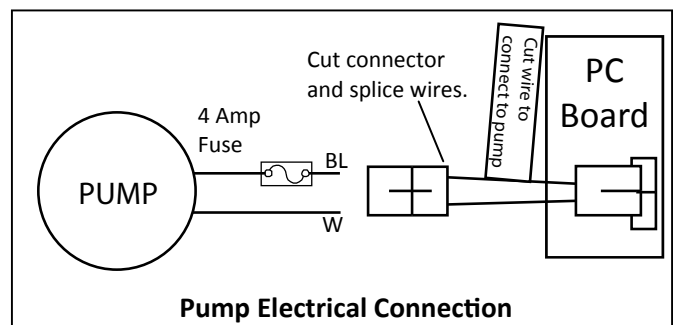
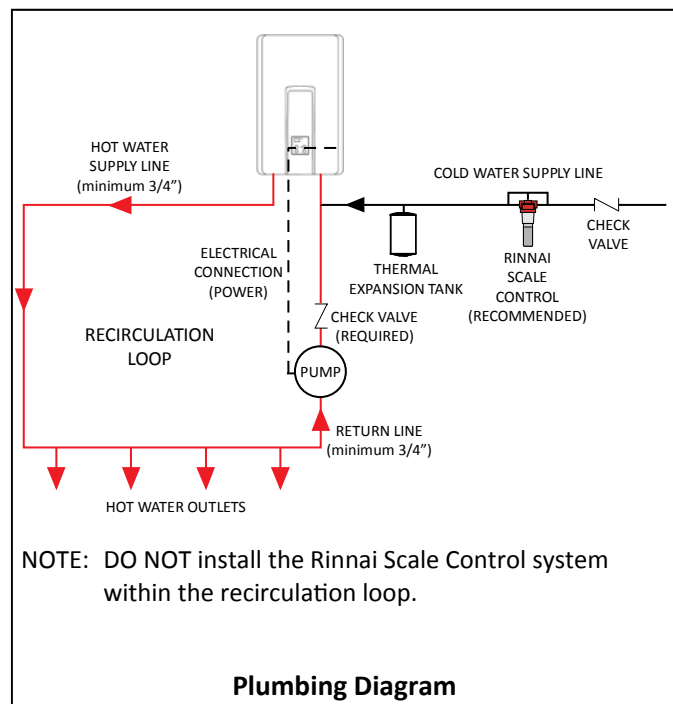
### Installation

1. Turn off the electrical power supply by unplugging the power cord or by turning off the electricity at the circuit breaker.
2. Install the recirculation pump on the return line according to the pump manufacturer installation instructions. Install a check valve in the return line as shown in the Plumbing Diagram if one is not integrated into the pump.
3. The wire harness for the recirculation pump is bundled with the wire harness from the PC board. The connector has a black and white wire with the label “Cut wire to connect to pump”. To connect to the pump, cut the connector, splice the wires, and add 4 Amp fuse to the hot wire (black) of the pump. Connect the ground wire from the pump to a screw at the base of the water cabinet. Refer to the Pump Electrical Connection Diagram. Follow Electrical Code and pump manufacturers recommendations.

4. Adjust the dip switch by moving the 4th switch in the white set of switches (SW2) to ON.  
For Economy mode, set the 8th switch in the white set of switches (SW2) to OFF (default).  
For Comfort mode, set the 8th switch in the white set of switches (SW2) to ON.

Settings for SW2 (bank of white switches)		
	Switch 4	Switch 8
Economy Mode	ON	OFF
Comfort Mode	ON	ON

5. Connect power to the water heater. Press the Power button on the controller. The pump and water heater will turn on to raise the recirculation loop temperature.



## Recirculation Mode (RL94 Models)

### Sequence of Operation

DIP switches (SW2 - white switches, #4, #8) should be set correctly for recirculation and mode. The Rinnai water heater should be turned on.

Pump recirculation begins when the water heater is turned on. The Rinnai inlet and outlet thermistors measure the water temperature.

The water heater produces hot water at the temperature setting. If the inlet thermistor detects abnormal temperature then diagnostic code 51 is generated and the pump will turn off.

When the return water temperature reaches approximately 15°F (8.3°C) below the temperature setting, the water heater and pump will turn off.

The cycle will restart at the approximate time interval in the table based on the temperature thermistor readings.

### Economy Mode

The Economy mode operates as follows:

- Less energy consumed due to fewer pump cycles
- Assumes plumbing is insulated (minimal pipe heat loss)
- Pump cycles on every 31 to 79 minutes (see table).

### Comfort Mode

The Comfort mode operates as follows:

- Higher energy consumption due to more pump cycles
- Assumes plumbing is not insulated resulting in higher pipe heat loss
- Pump cycles on every 15 to 39 minutes (see table).

Rinnai Temperature Setting °F	Typical Pump ON Intervals*	
	Economy Mode	Comfort Mode
140	31	15
135	31	15
130	31	15
125	31	15
120	31	15
115	35	18
110	42	21
108	45	22
106	49	24
104	54	27
102	60	30
100	68	34
98	79	39

\* The pump will cycle on at these calculated intervals which are based on the temperature setting, insulation, and estimated heat loss in the system. The values for your installation may vary.

# Rinnai®

## Direct Vent Tankless Water Heater

### Operation Instructions

**FOR INDOOR APPLICATIONS ONLY**

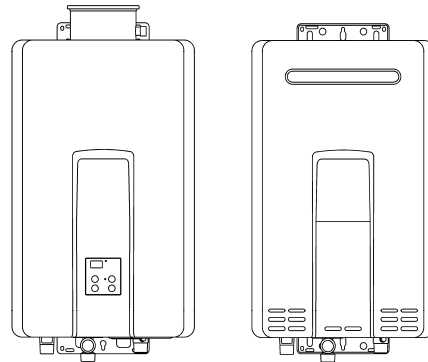
**RL75i** ..... REU-VC2528FFUD-US

**RL94i** ..... REU-VC2837FFUD-US

**FOR OUTDOOR APPLICATIONS ONLY**

**RL75e** ..... REU-VC2528WD-US

**RL94e** ..... REU-VC2837WD-US



### Important Facts about your Water Heater

Thank you for purchasing a Rinnai Tankless Water Heater. For proper operation and safety, it is important to follow the instructions and adhere to the safety precautions.

Read all of the instructions and the warranty thoroughly before operating this water heater. Keep this manual in a safe place.

NOTICE: Rinnai sometimes shares customer contact information with businesses that we believe provide products or services that may be useful to you. By providing this information, you agree that we can share your contact information for this purpose. If you prefer not to have your information shared with these businesses, please contact customer service and ask not to have your information shared. We will however, continue to contact you with information relevant to the product(s) you registered and/or you account with us.



#### **WARNING**

If the information in these instructions is not followed exactly, a fire or explosion may result causing property damage, personal injury or death.

- Do not store or use gasoline or other flammable vapors and liquids in the vicinity of this or any other appliance.
- WHAT TO DO IF YOU SMELL GAS
  - Leave the premises.
  - Do not try to light any appliance.
  - Do not touch any electrical switch; do not use any phone in your building.
  - Immediately call your gas supplier from a neighbor's phone. Follow the gas supplier's instructions.
  - If you cannot reach your gas supplier, call the fire department.
- Installation and service must be performed by a licensed professional.

# Consumer Operation Guidelines for the Safe Operation of your Water Heater

## FOR YOUR SAFETY READ BEFORE OPERATING





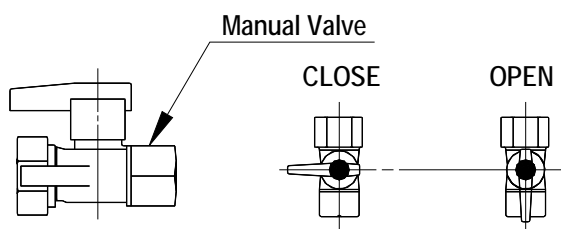
### WARNING

If you do not follow these instructions exactly, a fire or explosion may result causing property damage, personal injury or loss of life.


- A. This appliance does not have a pilot. It is equipped with an ignition device which automatically lights the burner. Do not try to light the burner by hand.
- B. BEFORE OPERATING smell all around the appliance area for gas. Be sure to smell next to the floor because some gas is heavier than air and will settle on the floor.  
**WHAT TO DO IF YOU SMELL GAS**
  - Do not try to light any appliance.
  - Do not touch any electric switch; do not use any phone in your building.
  - Immediately call your gas supplier from a neighbor's phone. Follow the gas supplier's instructions.
  - If you cannot reach your gas supplier, call the fire department.
- C. Use only your hand to push in or turn the gas control knob. Never use tools. If the knob will not push in or turn by hand, do not try to repair it, call a qualified licensed professional. Force or attempted repair may result in a fire or explosion.
- D. Do not use this appliance if any part has been under water. Immediately call a qualified licensed professional to inspect the appliance and to replace any part of the control system and any gas control which has been under water.

## OPERATING INSTRUCTIONS

1. **STOP!** Read the safety information above.
2. Set the thermostat to lowest setting.
3. Turn off all electric power to the appliance using the ON/OFF button.
4. This appliance is equipped with an ignition device which automatically lights the burner. Do not try to light the burner by hand.
5. Locate the manual gas valve on the side of the heater. Turn the manual valve clockwise to the full OFF position. 
6. Wait five (5) minutes to clear out any gas. Then smell for gas, including near the floor. If you smell gas, STOP! Follow "B" in the safety information above. If you don't smell gas, go to the next step.
7. Turn the manual gas valve counterclockwise to the full ON position. 
8. Turn on all electric power to the appliance using the ON/OFF button.
9. Set the thermostat to desired setting.
10. Open a hot water tap. If the appliance will not operate, follow the instructions "To Turn Off Gas To Appliance" and call your licensed professional or gas supplier. See manual for additional information.



## TO TURN OFF GAS TO APPLIANCE

1. Turn off all electric power to the appliance using the ON/OFF button.
2. Set the thermostat to lowest setting.
3. Locate the manual gas valve on the side of the heater. Turn the manual valve clockwise to the full OFF position. 

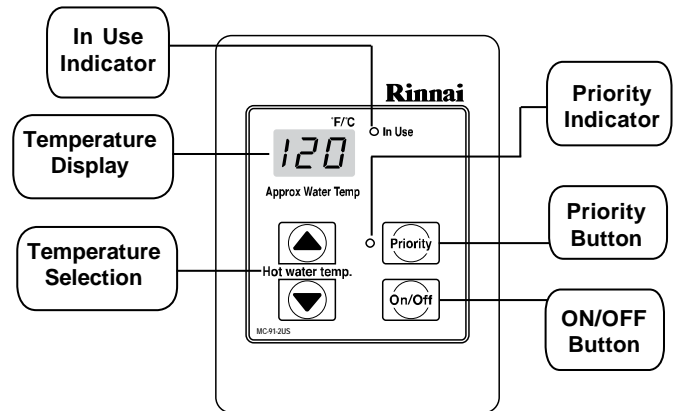


# How to use the Temperature Controller

Dimensions (inches): 3.5 W x 4.75 H x 0.75 D

The MC-91-2 controller is the standard temperature controller that is supplied with the water heater. On indoor models it is integrated into the front panel. The MCC-91-2 controller is for commercial and hydronic applications requiring higher temperatures. When the MCC-91-2 controller is connected, these higher temperatures are available on all controller models in the system. Refer to the section on temperature ranges.

DO NOT repeatedly operate the water heater and then use a hot water tap while the controller is turned off. Operating the water heater in this way to alternately produce hot water may cause water to condense on the outside of internal parts and accumulate in the water heater cabinet.



## WARNING

- Before operating, smell all around the appliance area for gas. Be sure to smell next to the floor because some gas is heavier than air and will settle on the floor.
- Keep the area around the appliance clear and free from combustible materials, gasoline, and other flammable vapors and liquids.
- Always check the water temperature before entering a shower or bath.
- Do not use this appliance if any part has been under water. Immediately call a licensed professional to inspect the appliance and to replace any part of the control system and any gas control which has been under water.
- Should overheating occur or the gas supply fail to shut off, turn off the manual gas control valve to the appliance.
- Do not adjust the DIP switch unless specifically instructed to do so.
- Do not use an extension cord or an adapter plug with this appliance.
- Any alteration to the appliance or its controls can be dangerous and will void the warranty.


If you install this water heater in an area that is known to have hard water or that causes scale build-up the water must be treated and/or the heat exchanger flushed regularly. Rinnai provides a “Scale Control System” that offers superior lime scale prevention and corrosion control by feeding a blend of control compounds into the water supply. Damage and repair due to corrosive compounds in the air is not covered by warranty.

Keep the air intake location free of chemicals such as chlorine or bleach that produce fumes. These fumes can damage components and reduce the life of your appliance. Damage and repair due to scale in the heat exchanger is not covered by warranty.

## How to Set the Temperature

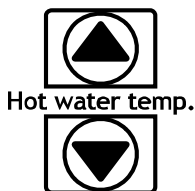
This water heater requires a minimum flow rate to operate. This rate can be found on the specification page in this manual. In some cases when you are not getting hot water or if the water alternates between hot and cold, it is due to the water flow being below or close to the minimum flow rate. Increasing the flow rate should resolve these problems in these cases.

If you are experiencing issues with higher temperature settings, then reduce the temperature setting. Selecting a temperature closer to that which is actually used at the faucet will increase the amount of hot water being delivered to the faucet, due to less cold water mixing at the fixture.

	<p>Hot water can be dangerous, especially for infants or children, the elderly, or infirm. There is hot water scald potential if the thermostat is set too high. Water temperatures over 125° F (52° C) can cause severe burns or scalding resulting in death.</p> <p>Hot water can cause first degree burns with exposure for as little as:</p> <ul style="list-style-type: none"> <li>3 seconds at 140° F (60° C)</li> <li>20 seconds at 130° F (54° C)</li> <li>8 minutes at 120° F (49° C)</li> </ul> <p>Test the temperature of the water before placing a child in the bath or shower.</p> <p>Do not leave a child or an infirm person in the bath unsupervised.</p>
--	--



1. If the water heater is off, press the Power button to turn on.
2. If the Priority light is off, then press the "Priority button" on the temperature controller. The green Priority light will glow indicating that this controller is controlling the temperature and that the water heater is ready to supply hot water. (The priority can only be changed while no hot water is running.)
3. Press the up or down buttons to obtain the desired temperature setting.



All hot water sources are able to provide water at this temperature setting until it is changed again at this or another temperature controller.

<b>NOTICE</b>	While any hot water is being provided, the temperature setting can only be adjusted between 98° F and 110° F.
---------------	---

<b>NOTICE</b>	Check local codes for the maximum water temperature setting allowed when used in nursing homes, schools, day care centers, and all other public applications.
---------------	---

<b>NOTICE</b>	If a newly installed unit with a controller has not been powered for at least 6 hours then the temperature will return to the default setting of 104° F (40° C) if power is interrupted.
---------------	--

<b>NOTICE</b>	There may be a variation between the temperature displayed on the temperature controller and the temperature at the tap due to weather conditions or the length of pipe to the water heater.
---------------	--

## Temperatures Available with a Controller


The water heater can deliver water at only one temperature setting at a time. The available temperatures are provided below. A temperature lower than 98° F (37° C) can be obtained at the tap by mixing with cold water.

To change the temperature scale from Celsius to Fahrenheit or vice versa, press and hold the “On/Off” button for 5 seconds while the water heater is OFF.

Temperature Settings Available (Fahrenheit °F)																
RL75i, RL75e	98	100	102	104	106	108	110	115	120	125	130	135	140	150	160	185**
RL94i, RL94e										*	*	*	*	**	**	
Celsius °C	37	38	39	40	41	42	43	46	49	52	54	57	60	66	71	85

\* Temperature settings from 125-140 °F (52-60 °C) are available by setting switch 6 to ON in the SW1 Dip switch (tan switches). These models have a default maximum temperature of 120° F (49° C) and an option (switch 6) to increase the maximum temperature to 140 °F (60 °C).

\*\* These settings require the MCC-91-2 controller. When the MCC-91-2 controller is connected, these higher temperatures are available on all controller models in the system. Use of an MCC-91-2 controller in a residential dwelling will reduce the warranty coverage to that of a commercial warranty application.


 <b>WARNING</b>	DO NOT adjust the other switches unless specifically instructed to do so.
--	---

**These temperatures are suggestions only:**

- Kitchen 120 °F (49° C)
- Shower 98 - 110 °F (37 - 43 °C)
- Bath Fill 102 - 110 °F (39 - 43 °C)

## Alternate Temperature Settings

A different range of temperature settings is available by setting switches 2 and 3 of the SW2 dip switch (white switches) to ON. The table below shows the settings available with the MC-91-2 and MCC-91-2 controller.

 <b>WARNING</b>	MC-91-1, MCC-91-1, MC-100V-1, and BC-100V-1 controllers are not compatible with Alternate Temperature Settings. Alternate Temperature Settings are for commercial applications only.
	DO NOT use the MC-91-1, MCC-91-1, MC-100V-1, or BC-100V-1 controllers when dip switches 2 and 3 (white switches) are in the ON position.

Alternate Temperature Settings Available (Fahrenheit °F)																
RL75i, RL75e	110	115	120	125	130	135	140	145	150	155	160					
RL94i, RL94e												165	170	175	180	185
Celsius °C	43	46	49	52	54	57	60	63	66	68	71	74	77	79	82	85

MC-91-2

MCC-91-2

## Temperature Options Without a Temperature Controller

The default temperature setting for this appliance installed without a temperature controller is 120° F (49° C). If desired, the temperature setting can be changed to 140° F (60° C) by adjustment of a switch.

In the SW1 Dip switch (tan switches), set switch 5 to ON to obtain 140° F water temperature setting. Set switch 5 to OFF (default) to obtain 120° F water temperature setting. If a temperature controller is installed, then switch 5 has no effect on temperature settings.

## Setting Controller to Mute

On the MC-91-2 to eliminate the beeps when keys are pressed or to turn the beeps back on, press and hold both the up and down buttons until a beep is heard (approximately 5 seconds).

## Locking the Controller

The MC-91-2 controller can be locked by pressing the Priority button and the up button together for 5 seconds. A beep will sound confirming that the controller is locked. The display will alternately show “LOC”, the temperature setting, and a diagnostic code if one has been activated. All of the controllers in the system are also locked.

To unlock the controller press the Priority button and the up button together for 5 seconds.

## Diagnostic Codes

This water heater is designed to display diagnostic codes. If there is a potential operation concern refer to the code and remedy on the next page.

### To Display Diagnostic Information

To display the most recent diagnostic information codes press and hold the “On/Off” button for 2 seconds on the MC-91-2 controller. While holding the “On/Off” button press the up button. The last 9 diagnostic codes will flash one after the other. To exit this mode press the “On/Off” and up button as before.

To enter or exit the maintenance monitor information mode press and hold the down button for 2 seconds and without releasing it press the ON/OFF button.

To obtain the water flow rate press the up or down buttons until “01” displays. The water flow rate will then appear. For example “58” means 5.8 gal/min.

To obtain the outgoing water temperature press the up or down buttons until “02” displays. The temperature will appear in degrees Fahrenheit.

No.	Data	Unit
01	Water flow rate	0.1 gal/min
02	Outgoing water temperature	Degrees Fahrenheit

## Diagnostic Codes and Remedies



### WARNING

Some of the checks below should be done by a licensed professional. Consumers should never attempt any action that they are not qualified to perform.

Code	Definition		Remedy
03	Power interruption during Bath Fill (Water will not flow when power returns).		Turn off all hot water taps. Press ON/OFF twice.
10	Air Supply or Exhaust Blockage		Check that nothing is blocking the flue inlet or exhaust. Check all vent components for proper connections.
		licensed professional only	Ensure approved venting materials are being used. Ensure vent length is within limits. Verify dip switches are set properly. Check fan for blockage.
11	No Ignition (heater not turning on)		Check that the gas is turned on at the water heater, gas meter, or cylinder. If the system is propane, make sure that gas is in the tank. Ensure appliance is properly grounded.
		licensed professional only	Ensure gas type and pressure is correct. Ensure gas line, meter, and/or regulator is sized properly. Bleed all air from gas lines. Verify dip switches are set properly. Ensure igniter is operational. Check igniter wiring harness for damage. Check gas solenoid valves for open or short circuits. Remove burner cover and ensure all burners are properly seated. Remove burner plate and inspect burner surface for condensation or debris. Check the ground wire for the PC board.
12	No Flame		Check that the gas is turned on at the water heater, gas meter, or cylinder. Check for obstructions in the flue outlet. If the system is propane, make sure that gas is in the tank.
		licensed professional only	Ensure gas line, meter, and/or regulator is sized properly. Ensure gas type and pressure is correct. Bleed all air from gas lines. Ensure proper venting material was installed. Ensure condensation collar was installed properly. Ensure vent length is within limits. Verify dip switches are set properly. Check power supply for loose connections. Check power supply for proper voltage and voltage drops. Ensure flame rod wire is connected. Check flame rod for carbon build-up. Disconnect and reconnect all wiring harnesses on unit and PC board. Check for DC shorts at components. Check gas solenoid valves for open or short circuits. Remove burner plate and inspect burner surface for condensation or debris.
14	Thermal Fuse has activated		Check for restrictions in air flow around unit and vent terminal.
		licensed professional only	Check gas type of unit and ensure it matches gas type being used. Check for low water flow in a circulating system causing short-cycling. Ensure dip switches are set to the proper position. Check for foreign materials in combustion chamber and/or exhaust piping. Check heat exchanger for cracks and/or separations. Check heat exchanger surface for hot spots which indicate blockage due to scale build-up. Refer to instructions in manual for flushing heat exchanger. Hard water must be treated to prevent scale build up or damage to the heat exchanger. Measure resistance of safety circuit. Ensure high fire and low fire manifold pressure is correct. Check for improper conversion of product.
16	Over Temperature Warning (safety shutdown because unit is too hot)		Check for restrictions in air flow around unit and vent terminal.
		licensed professional only	Check for low water flow in a circulating system causing short-cycling. Check for foreign materials in combustion chamber and/or exhaust piping. Check for blockage in the heat exchanger.

Code	Definition		Remedy	
19	Electrical Grounding		Check all components for electrical short.	
32	Outgoing Water Temperature Sensor		Check sensor wiring for damage. Measure resistance of sensor. Clean sensor of scale build-up. Replace sensor.	
33	Heat Exchanger Outgoing Temperature Sensor		Check for restrictions in air flow around unit and vent terminal. Check sensor wiring for damage. Measure resistance of sensor. Clean sensor of scale build-up. Ensure fan blade is tight on motor shaft and is in good condition. Replace sensor.	
34	Combustion Air Temperature Sensor		Check sensor wiring for damage. Measure resistance of sensor. Clean sensor of scale build-up. Ensure fan blade is tight on motor shaft and is in good condition. Replace sensor.	
41	Outside temperature thermistor (outdoor models only)		Check sensor wiring for damage. Measure resistance of sensor. Clean sensor of scale build-up. Replace sensor.	
51	Inlet water temperature thermistor (RL94 only)		Check sensor wiring for damage. Measure resistance of sensor. Clean sensor of scale build-up. Replace sensor.	
52	Modulating Solenoid Valve Signal	licensed professional only	Check modulating gas solenoid valve wiring harness for loose or damaged terminals. Measure resistance of valve coil.	
57	Burner		Contact a licensed professional.	
61	Combustion Fan		Ensure fan will turn freely. Check wiring harness to motor for damaged and/or loose connections. Measure resistance of motor winding.	
65	Water Flow Control		The water flow control valve has failed to close during the bath fill function. Immediately turn off the water and discontinue the bath fill function. Contact a licensed professional to service the appliance.	
70	PC Board		Check PC board DIP switches for correct position. Check the connection harness at the connection on the PC board. Replace PC board.	
71	Solenoid Valve Circuit		Replace the PC Board.	
72	Flame Sensing Device		Verify flame rod is touching flame when unit fires. Check all wiring to flame rod. Remove flame rod and check for carbon build-up; clean with sand paper. Check inside burner chamber for any foreign material blocking flame at flame rod. Measure micro amp output of sensor circuit with flame present. Replace flame rod.	
79	Water Leak Detected		Water has been detected at the bottom of the unit. Turn off water supply. Check all plumbing internally for leakage.	
LC # (LC0, LC1, LC2,...)	Scale Build-up in Heat Exchanger (when checking maintenance code history, "00" is substituted for "LC")			LC0~LC9 indicates that there is scale build up in the heat exchanger and that the heat exchanger needs to be flushed to prevent damage. Refer to the flushing instructions in the manual. <b>Hard water must be treated to prevent scale build up or damage to the heat exchanger.</b> To operate the water heater temporarily until the heat exchanger can be flushed, push the On/Off button on the temperature controller 5 times. Repeated LC codes will eventually lockout the water heater. Please call Rinnai technical department.
FF	Maintenance has been performed			Indicates a licensed professional performed maintenance or corrected an issue.
No code	Nothing happens when water flow is activated.		Clean inlet water supply filter. On new installations ensure hot and cold water lines are not reversed. Verify you have at least the minimum flow rate required to fire unit.	
		licensed professional only	Check for cold to hot cross over. Isolate circulating system if present. Turn off cold water to the unit, open pressure relief valve; if water continues to flow, there is bleed over in your plumbing. Verify turbine spins freely. Measure the resistance of the water flow control sensor. If the display is blank and clicking is coming from the unit, disconnect the water flow servo motor (GY, BR, O, W, P, BL, R). If the display comes on then replace the water flow servo motor.	

# Required Maintenance

The appliance must be inspected annually by a licensed professional. Repairs and maintenance should be performed by a licensed professional. The licensed professional must verify proper operation after servicing.

## WARNING

To protect yourself from harm, before performing maintenance:

- Turn off the electrical power supply by unplugging the power cord or by turning off the electricity at the circuit breaker. (The temperature controller does not control the electrical power.)
- Turn off the gas at the manual gas valve, usually located immediately below the water heater.
- Turn off the incoming water supply. This can be done at the isolation valve immediately below the water heater or by turning off the water supply to the building.

## WARNING

Keep the appliance area clear and free from combustible materials, gasoline, and other flammable vapors and liquids.

### The following maintenance items are required for the proper operation of your water heater.

The appliance must be inspected annually by a licensed professional. Repairs and maintenance should be performed by a licensed professional. The licensed professional must verify proper operation after servicing.

#### Cleaning

It is imperative that control compartments, burners, and circulating air passageways of the appliance be kept clean.

Clean as follows:

1. Turn off and disconnect electrical power. Allow to cool.
2. Close the water shut off valves. Remove and clean the water inlet filter.
3. Remove the front panel by removing 4 screws.
4. Use pressurized air to remove dust from the main burner, heat exchanger, and fan blades. Do not use a wet cloth or spray cleaners on the burner. Do not use volatile substances such as benzene and thinners. They may ignite or fade the paint.
5. Use soft dry cloth to wipe cabinet.

#### Vent System

The vent system should be inspected at least annually for blockages or damage. If the vent is blocked contact a licensed professional.

#### Motors

Motors are permanently lubricated and do not need periodic lubrication. However you must keep fan and motor free of dust and dirt by cleaning annually.

#### Temperature Controller

Use a soft damp cloth to clean the temperature controller. Do not use solvents.

#### Lime / Scale Build-up

If you receive diagnostic code "LC#" (LC1, LC2,...), refer to the procedure, *Flushing the Heat Exchanger*. Refer to the section on *Water Quality* to see if your water needs to be treated or conditioned. (When checking maintenance code history, "00" is substituted for "LC#".)

#### Snow Accumulation

Keep the area around flue terminal free of snow and ice. The appliance will not function properly if the intake air or exhaust is impeded (blocked or partially blocked) by obstructions.

#### Clean the water filter

Clean the inlet water filter by closing the cold and hot water inlet isolation (shut-off) valves. Put a bucket under the filter at the bottom of the water heater to catch any water that is contained inside the unit. Unscrew the water filter. Rinse the filter to remove any debris. Install the filter and open the isolation valves.

## **! WARNING**

Testing the pressure relief valve should only be performed by a licensed professional. Scalding hot water may be released under pressure.

### **Pressure Relief Valve:**

Operate the valve manually once a year. In doing so, it will be necessary to take precautions with regard to the discharge of potentially scalding hot water under pressure. Ensure discharge has a place to flow. Contact with your body or other property may cause damage or harm.

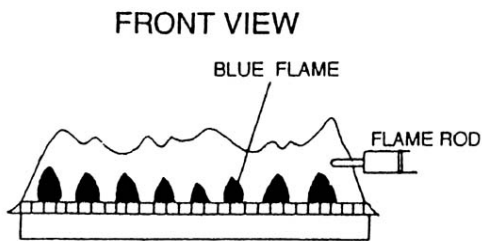
### **Visual Inspection of Flame**

Verify proper operation after servicing.

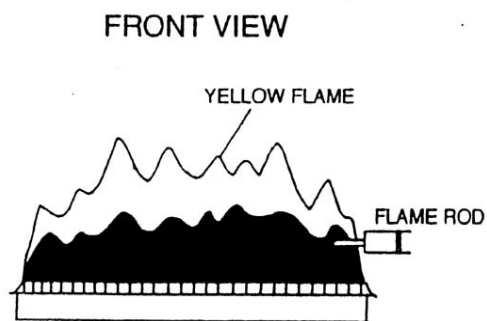
The burner must flame evenly over the entire surface when operating correctly. The flame must burn with a clear, blue, stable flame. See the parts breakdown of the burner for the location of the view ports.

The flame pattern should be as shown in the figures below.

#### **SATISFACTORY**



#### **UNSATISFACTORY**



### **Freeze Protection**

Make sure that in case of freezing weather that the water heater and its water lines are adequately protected to prevent freezing. Damage due to freezing is not covered by the warranty. Refer to the section on Freeze Protection.

### **Winterizing**

These recommendations are intended to suggest practices which are effective for winterizing the water heater. They should be used as a guide only. No liability is assumed for any issues resulting from the use of this information.

#### **GAS**

Shut off the gas to the water heater. It is generally preferable to shut off the gas service to the entire location if gas is not going to be used.

#### **WATER**

Shut off the cold water supply to the water heater. It is generally preferable to shut off the water to the entire location if water is not going to be used.

Drain the water heater by opening the drain valves on the cold water line and hot water line.

Open several hot water taps and remove the filter assembly at the water inlet in order to allow room for expansion in case there is water in the lines that freeze.

#### **ELECTRIC**

Disconnect the power supply by either unplugging the electrical cord or by turning off the circuit breaker to the water heater to prevent potential damage from irregular power surges or interruptions.

#### **VENT TERMINATION**

Place a cover over the vent termination (intake and exhaust) if it can be safely accessed. The cover should be easy to apply and remove. This will prevent debris, leaves, and small animals from entering the venting and water heater which could cause air flow issues upon return to service.

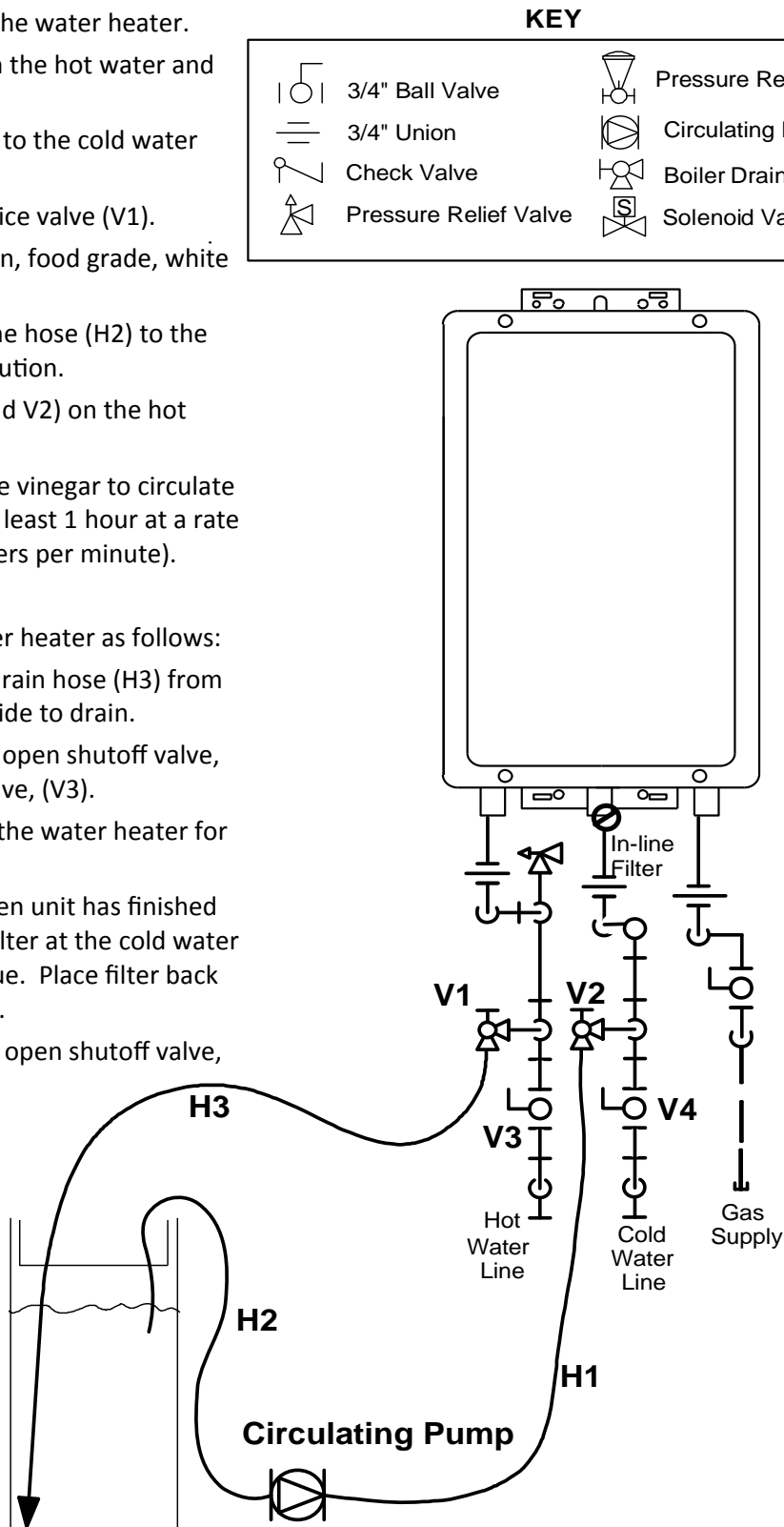


# Flushing the heat exchanger

An LC0~LC9 or "00" diagnostic code indicates the unit is beginning to lime up and must be flushed. Failure to flush the appliance will cause damage to the heat exchanger. Damage caused by lime build-up is not covered by the unit's warranty. Rinnai strongly recommends installation of isolation valves to allow for flushing of the heat exchanger.

1. Disconnect electrical power to the water heater.
2. Close the shutoff valves on both the hot water and cold water lines (V3 and V4).
3. Connect pump outlet hose (H1) to the cold water line at service valve (V2).
4. Connect drain hose (H3) to service valve (V1).
5. Pour 4 gallons of undiluted virgin, food grade, white vinegar into pail.
6. Place the drain hose (H3) and the hose (H2) to the pump inlet into the cleaning solution.
7. Open both service valves (V1 and V2) on the hot water and cold water lines.
8. Operate the pump and allow the vinegar to circulate through the water heater for at least 1 hour at a rate of 4 gallons per minute (15.1 liters per minute).
9. Turn off the pump.
10. Rinse the vinegar from the water heater as follows:
  - a. Remove the free end of the drain hose (H3) from the pail. Place in sink or outside to drain.
  - b. Close service valve, (V2), and open shutoff valve, (V4). Do not open shutoff valve, (V3).
  - c. Allow water to flow through the water heater for 5 minutes.
  - d. Close shutoff valve (V4). When unit has finished draining remove the in-line filter at the cold water inlet and clean out any residue. Place filter back into unit and open valve (V4).
  - e. Close service valve, (V1), and open shutoff valve, (V3).
11. Disconnect all hoses.
12. Restore electrical power to the water heater.

Following flush procedure call technical assistance (1-800-621-9419) for PCB reset information.



## Manual Draining of the Water Heater



### WARNING

To avoid burns, wait until the equipment cools down before draining the water. The water in the appliance will remain hot after it is turned off.

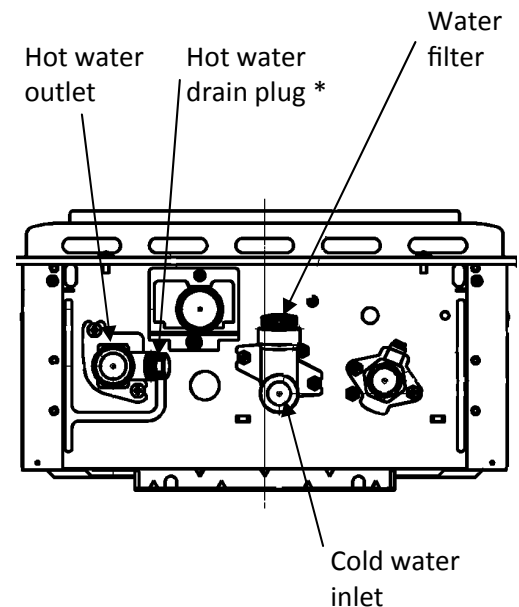
If the water heater is not going to be used during a period of possible freezing weather, it is recommended that the water inside the water heater be drained.

#### To manually drain the water:

1. Shut off cold water supply and gas supply.
2. Turn off the temperature controller.
3. Disconnect the power to the water heater.
4. Place a container to catch the water. Remove the drain caps on both isolation valves and open both valves above the caps (blue and red valve handles). -OR- Open hot water drain plug at the hot water outlet.
5. Remove water filter to drain the cold water.

#### To resume normal operation:

1. Confirm that all water drain plugs are removed, that the gas supply is turned off, and that all taps are closed.
2. Screw in the water filter in the cold water inlet.
3. Replace the drain caps and close both isolation valves. -OR- Screw in the hot water drain plug.
4. Open the cold water supply.
5. Open a tap and confirm that water flows, and then close.
6. Turn on the power.
7. After confirming that the temperature controller is off, turn on the gas supply.
8. Turn on the temperature controller.

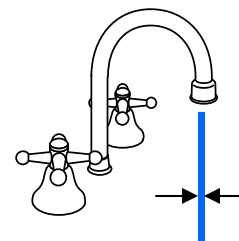


\* Use a wrench or other tool to unscrew the hot water drain plug.

#### **Running a low volume of water through the water heater to prevent freezing**

If the temperature exceeds the ability of the water heater to freeze protect itself, or if power is lost, the following steps may prevent the water heater and external piping from freezing. (Units connected with EZ Connect (2 unit link) should be drained to prevent freezing if not in use.)

1. Turn the water heater off.
2. Close the gas supply valve.
3. Turn on a hot water tap to flow water about 0.1 gal/min or where the stream is about 0.2 inches thick.



0.1 gal/min or about  
0.2 inch thick

#### **When the water heater or external piping has frozen**

1. Do not operate the water heater if it or the external piping is frozen.
2. Close the gas and water valves and turn off the power.
3. Wait until the water thaws. Check by opening the water supply valve.
4. Check the water heater and the piping for leaks.

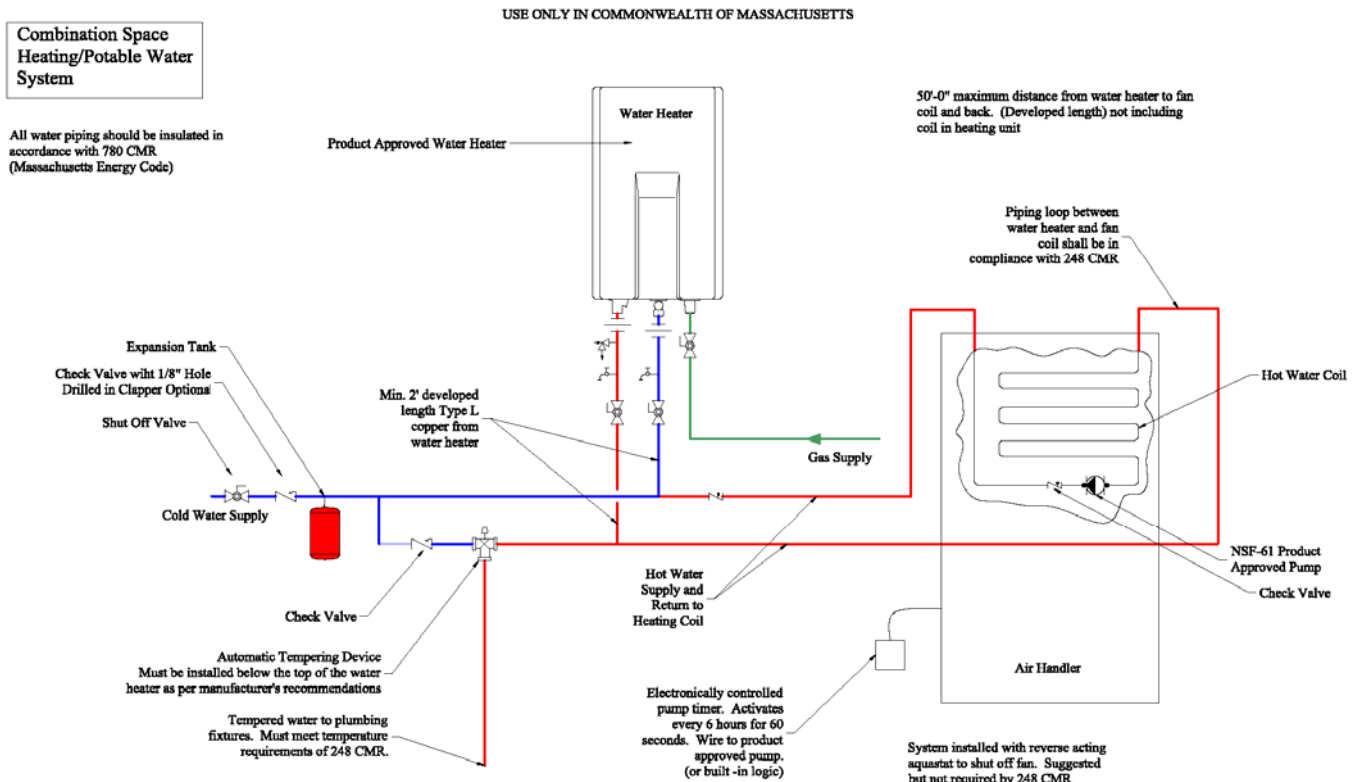
# State Regulations

**NOTICE BEFORE INSTALLATION** This direct-vent appliance must be installed by a licensed professional. If you are not properly trained, you must not install this unit.

**IMPORTANT: In the State of Massachusetts (248 CMR 4.00 & 5.00)**

For all side wall horizontally vented gas fueled equipment installed in every dwelling, building or structure used in whole or in part for residential purposes, including those owned or operated by the Commonwealth and where the side wall exhaust vent termination is less than seven (7) feet above finished grade in the area of the venting, including but not limited to decks and porches, the following requirements shall be satisfied:

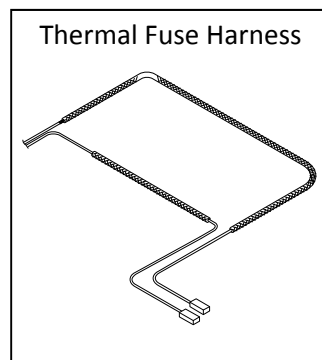
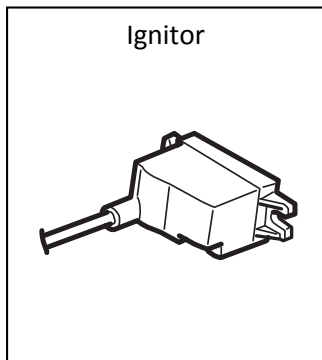
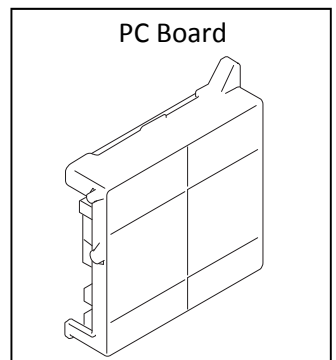
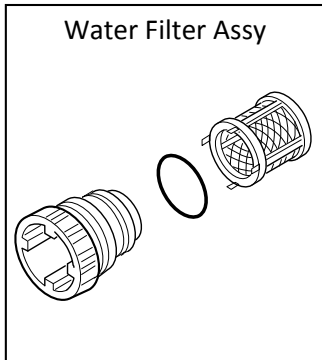
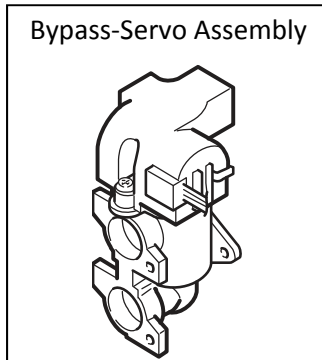
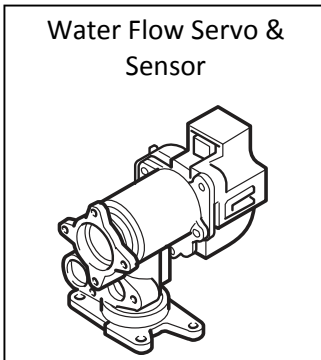
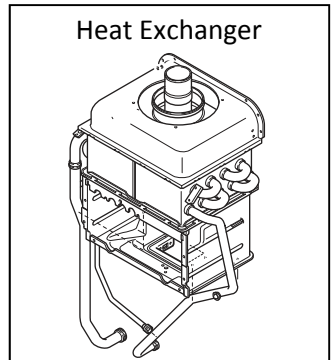
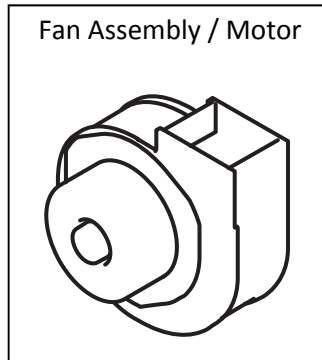
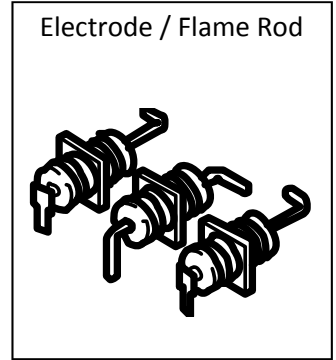
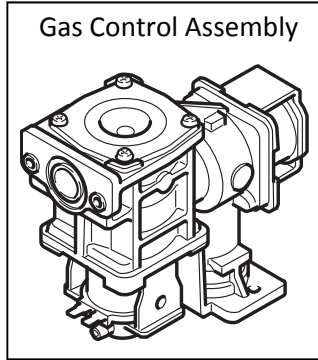
1. **INSTALLATION OF CARBON MONOXIDE DETECTORS.** At the time of installation of the side wall horizontal vented gas fueled equipment, the installing plumber or gasfitter shall observe that a hard wired carbon monoxide detector with an alarm and battery back-up is installed on the floor level where the gas equipment is to be installed. In addition, the installing plumber or gasfitter shall observe that a battery operated or hard wired carbon monoxide detector with an alarm is installed on each additional level of the dwelling, building or structure served by the side wall horizontal vented gas fueled equipment. It shall be the responsibility of the property owner to secure the services of qualified licensed professionals for the installation of hard wired carbon monoxide detectors
  - a. In the event that the side wall horizontally vented gas fueled equipment is installed in a crawl space or an attic, the hard wired carbon monoxide detector with alarm and battery back-up may be installed on the next adjacent floor level.
  - b. In the event that the requirements of this subdivision can not be met at the time of completion of installation, the owner shall have a period of thirty (30) days to comply with the above requirements; provided, however, that during said thirty (30) day period, a battery operated carbon monoxide detector with an alarm shall be installed.
2. **APPROVED CARBON MONOXIDE DETECTORS.** Each carbon monoxide detector as required in accordance with the above provisions shall comply with NFPA 720 and be ANSI/UL 2034 listed and IAS certified.
3. **SIGNAGE.** A metal or plastic identification plate shall be permanently mounted to the exterior of the building at a minimum height of eight (8) feet above grade directly in line with the exhaust vent terminal for the horizontally vented gas fueled heating appliance or equipment. The sign shall read, in print size no less than one-half (1/2) inch in size, "**GAS VENT DIRECTLY BELOW. KEEP CLEAR OF ALL OBSTRUCTIONS**".
4. **INSPECTION.** The state or local gas inspector of the side wall horizontally vented gas fueled equipment shall not approve the installation unless, upon inspection, the inspector observes carbon monoxide detectors and signage installed in accordance with the provisions of 248 CMR 5.08(2)(a)1 through 4.



# Replacement Parts

The Technical Sheet which is located inside the front cover of the water heater contains a complete illustrated parts list.

	Tech Sheet Item No.
Gas Control Assembly	100
Electrode / Flame Rod Kit	116, 117
Fan Assembly / Motor	125
Heat Exchanger	143
Water Flow Servo & Sensor	401
Bypass-Servo Assembly	403
Water Filter Assy	412
PC Board	700
Ignitor	706
Thermal Fuse Harness	725



# EXTEND THE LABOR COVERAGE UNDER YOUR LIMITED WARRANTY\*

## Luxury Series RL75, RL94

### REGISTRATION REQUIRED\*

Rinnai is providing the opportunity to extend your Rinnai Standard Limited Warranty on labor only on Luxury Series models RL75 and RL94 if you register within 30 days of purchase of your unit. Products not registered will still be covered under the Rinnai standard product limited warranty as provided in the Operating Instruction manual which comes with this product. Warranty information is also available on Rinnai's web site at [www.rinnai.us](http://www.rinnai.us).

#### **RESIDENTIAL APPLICATIONS:**

The limited warranty period on the labor coverage for models RL75 and RL94 Tankless Water Heaters installed in a residential application is extended for an additional 48 months (a total of 60 months labor coverage from date of purchase), when used in a residential hot water application, if the product is registered within 30 days of purchase at [www.rinnairegistration.com](http://www.rinnairegistration.com) or by calling 1-866-RINNAI-1 (746-6241), except registration is not required in California and Quebec.

#### **ADDITIONAL CONDITIONS OF EXTENDING THE LABOR COVERAGE UNDER THE LIMITED WARRANTY:**

1. The labor coverage does NOT extend if the RL75 and RL94 Tankless Water Heater is used for structure heating or in a closed loop application.
2. If the product is installed on a circulation system, the circulation system must be controlled by an on-demand system, or the limited warranty will not be extended.

#### **COMMERCIAL APPLICATIONS:**

The limited warranty period on the labor coverage for models RL75 and RL94 Tankless Water Heaters installed in a commercial application is extended for an additional 12 months (a total of 24 months labor coverage from date of purchase), when used in a commercial hot water application, if the product is registered within 30 days of purchase at [www.rinnairegistration.com](http://www.rinnairegistration.com) or by calling 1-866-RINNAI-1 (746-6241), except registration is not required in California and Quebec.

#### **ADDITIONAL CONDITIONS OF EXTENDING THE LABOR COVERAGE UNDER THE LIMITED WARRANTY:**

1. The labor coverage does NOT extend if the RL75 and RL94 Tankless Water Heater is used for structure heating or in a closed loop application.
2. If the product is installed on a circulation system, the circulation system must be controlled by an on-demand system, or the limited warranty will not be extended.

\* Only applicable if product is registered within 30 days of purchase and the other conditions are met. Note to California and Quebec Residents, and residents of other jurisdictions that prohibit warranty benefits conditioned on registration, registration is not required to obtain longer warranty periods and failure to register does not diminish your warranty rights. [www.rinnai.us/warranty](http://www.rinnai.us/warranty)

## Limited Warranty for Luxury Series RL75, RL94

### What is covered?

The Rinnai Standard Limited Warranty covers any defects in materials or workmanship when the product is installed and operated according to Rinnai written installation instructions, subject to the terms within this Limited Warranty document. This Limited Warranty applies only to products that are installed correctly. Improper installation may void this Limited Warranty. Rinnai strongly suggests that you use a licensed professional who has attended a Rinnai installation training class before installing this water heater. This Limited Warranty coverage as set out in the table below extends to the original purchaser and subsequent owners, but only while the product remains at the site of the original installation. This Limited Warranty only extends to the first / original installation of the product and terminates if the product is moved or reinstalled at a new location.

### How long does coverage last?

Item	Period of Coverage (from date of purchase)		
	Residential Applications	If used for both residential water heating and space heating purposes	Commercial Applications
Heat Exchanger	12 years [1] [2]	10 years [1] [2]	5 years [1]
All Other Parts and Components	5 years [1]	5 years [1]	5 years [1]
Reasonable Labor	1 year [3]	1 year [3]	1 year [3]

[1] Period of coverage is reduced to 3 years from date of purchase when used as a circulating water heater within a hot water circulation loop, where the water heater is in series with a circulation system and all circulating water flows through the water heater, and where an on-demand recirculation system is not incorporated.

On-demand recirculation is defined as a hot water recirculating loop or system that utilizes existing hot and cold lines or a dedicated return line, and only activates when hot water is used. It can be activated by a push button, motion sensor, or voice activation but not by a temperature sensor. A timer added to a standard recirculating pump is not considered as on-demand.

[2] Period of coverage is reduced to 5 years from date of purchase if the Rinnai water heater temperature setting exceeds 160° F (71°C).

[3] Labor coverage is extended to 5 years in residential applications and to 2 years in commercial applications if the product is registered within 30 days (except registration is not required in California and Quebec) and/or if the other conditions above in the Residential Applications and Commercial Applications sections are satisfied.

NOTE: The integrated controller on indoor models has a 1 year warranty on parts.

### What will Rinnai do?

Rinnai will repair or replace the covered product or any part or component that is defective in materials or workmanship as set forth in the above table. Rinnai will pay reasonable labor charges associated with the repair or replacement of any such part or component during the term of the labor warranty period. All repair parts must be genuine Rinnai parts. All repairs or replacements must be performed by a licensed professional that is properly trained, state qualified or licensed to do the type of repair.

Replacement of the product may be authorized by Rinnai only at its sole discretion. Rinnai does not authorize any person or company to assume for it any obligation or liability in connection with the replacement of the product. If Rinnai determines that repair of a product is not possible, Rinnai may replace the product with a comparable product at Rinnai's sole discretion. If a component or product returned to Rinnai is found to be free of defects in material or workmanship, or damaged by improper installation or damaged during return shipping, the warranty claim for product, parts and labor may be denied.

### How do I get service?

You must contact a licensed professional for the repair of a product under this Limited Warranty. For the name of a licensed professional please contact your place of purchase, visit the Rinnai website ([www.rinnai.us](http://www.rinnai.us)), call Rinnai at 1-800-621-9419 or write to Rinnai at 103 International Drive, Peachtree City, Georgia 30269.

Proof of purchase is required to obtain warranty service. You may show proof of purchase with a dated sales receipt, or by registering within 30 days of purchasing the product. To register your tankless water heater, please visit [www.rinnai.us](http://www.rinnai.us). For those without internet access, please call 1-866-RINNAI1 (746-6241). Receipt of Registration by Rinnai will constitute proof-of-purchase for this product. Registration of product installed in new home construction may be verified with a copy of the closing papers provided by the initial home buyer. However, Registration is not necessary in order to validate this Limited Warranty.

### **What is not covered?**

This Warranty does not cover any failures or operating difficulties due to the following:

- accident, abuse, or misuse
- alteration of the product or any component part
- misapplication of this product
- improper installation
  - ◇ product being installed in a corrosive environment
  - ◇ condensate damage
  - ◇ improper venting
  - ◇ incorrect gas type
  - ◇ incorrect gas or water pressure
  - ◇ absence of a drain pan under the appliance
- water quality
- Improper maintenance (such as but not limited to scale build-up, freeze damage, or vent blockage)
- incorrect sizing
- any other cause not due to defects in materials or workmanship
- problems or damage due to fires, flooding, electrical surges, freezing or any acts of God.
- force majeure

There is no warranty coverage on product installed in a closed loop application, commonly associated with space heating only applications.

Use of an MCC-91-2 controller in a residential dwelling will reduce the warranty coverage to that of a commercial warranty application except when an MCC-91-2 is used with a hydronic air handler for temperatures no higher than 160° F (71° C).

This Limited Warranty does not apply to any product whose serial number or manufacture date has been defaced.

This Limited Warranty does not cover any product used in an application that uses chemically treated water such as a pool or spa heater.

### **Limitation on warranties**

No one is authorized to make any other warranties on behalf of Rinnai America Corporation. Except as expressly provided herein, there are no other warranties, expressed or implied, including, but not limited to warranties of merchantability or fitness for a particular purpose, which extend beyond the description of the warranty herein.

Any implied warranties of merchantability and fitness arising under state law are limited in duration to the period of coverage provided by this Limited Warranty, unless the period provided by state law is less. Some states do not allow limitations on how long an implied Limited Warranty lasts, so the above limitation may not apply to you.

Rinnai shall not be liable for indirect, incidental, special, consequential or other similar damages that may arise, including lost profits, damage to person or property, loss of use, inconvenience, or liability arising from improper installation, service or use. Some states do not allow the exclusion or limitation of incidental or consequential damages, so the above limitation may not apply to you.

This Limited Warranty gives you specific legal rights, and you may also have other rights which vary from state to state.

[www.rinnai.us/warranty](http://www.rinnai.us/warranty)

**POUR LES APPLICATIONS INTÉRIEURES SEULEMENT**

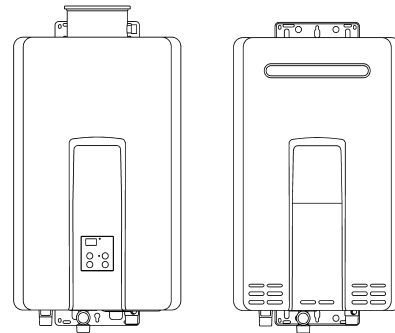
**RL75i** ..... REU-VC2528FFUD-US

**RL94i** ..... REU-VC2837FFUD-US

**POUR LES APPLICATIONS EXTÉRIEUR SEULEMENT**

**RL75e** ..... REU-VC2528WD-US

**RL94e** ..... REU-VC2837WD-US



**ANS Z21.10.3 • CSA 4.3**

**LIRE TOUTES LES INSTRUCTIONS SOIGNEUSEMENT AVANT D'INSTALLER OU D'EXPLOITATION DE CETTE CHAUFFE-EAU.**

Ce manuel fournit des informations sur l'installation, l'exploitation et l'entretien du chauffe-eau. Pour la sécurité et le bon fonctionnement, il est important de suivre les instructions et de respecter les mesures de sécurité.

Un professionnel autorisé doit installer le chauffe-eau conformément aux instructions exactes de sur pages 50-69.

Le consommateur doit lire le manuel complet de fonctionner correctement le chauffe-eau et d'avoir effectué un entretien régulier.



**AVERTISSEMENT**

**Assurez-vous de bien suivre les instructions données dans cette notice pour réduire au minimum le risque d'incendie ou d'explosion ou pour éviter tout dommage matériel, toute blessure ou la mort.**

- **Ne pas entreposer ni utiliser d'essence ou ni d'autres vapeurs ou liquides inflammables à proximité de cet appareil ou de tout autre appareil.**
- **QUE FAIRE SI VOUS SENTEZ UNE ODEUR DE GAZ**
  - **Ne pas tenter d'allumer d'appareil.**
  - **Ne touchez à aucun interrupteur ; ne pas vous servir des téléphones se trouvant dans le bâtiment.**
  - **Appelez immédiatement votre fournisseur de gaz depuis un voisin. Suivez les instructions du fournisseur.**
  - **Si vous ne pouvez rejoindre le fournisseur, appelez le service des incendies.**
- **L'installation et l'entretien doivent être assurés par un installateur ou un service d'entretien qualifié ou par le fournisseur de gaz.**

**Ce manuel entier doit être laissé pour le consommateur. Le consommateur doit lire et faire référence à ce manuel pour un fonctionnement correct et pour maintenir le chauffe-eau.**



# Table des matières

Table des matières.....	49	Ajustez à l'haute altitude .....	67
Les pratiques et les comportements de sécurité pour les consommateurs et les installateurs .....	50	Ajuster pour longueur de ventilation (modèles d'intérieur) .....	67
<b>Installation d'instructions (pour le professionnel autorisé) .....</b>	<b>51</b>	Liste de vérification pour gaz et électricité....	67
Préparez-vous à l'installation .....	52	Installation de le contrôleur de température	68
Déterminez l'endroit d'installation.....	53	Liste de vérification finale .....	69
Liste de vérification pour déterminez l'endroit d'installation .....	58	Diagramme en escalier.....	70
Bâti à murer .....	58	<b>Instructions d'utilisation .....</b>	<b>71</b>
Enlevez le panneau avant .....	58	Directives d'opérations du consommateur pour le fonctionnement sécuritaire de votre chauffe-eau .....	72
Installation de la mise à l'air libre (modèles d'intérieur) .....	59	Comment utiliser le contrôleur de température.....	73
Condensat (modèles d'intérieur) .....	61	Comment définir la temperature.....	74
Liste de vérification pour l'évacuation et de condensat (modèles d'intérieur) .....	61	Entretien requis .....	76
Installation de la tuyauterie.....	62	Flushing l'échangeur de chaleur.....	78
Liste de vérification pour tuyauterie .....	65	Drainage Manuel du chauffe-eau.....	79
Installation de la fourniture de gaz.....	65	Garantie du consommateur .....	80
Reliez l'électricité.....	67		

AVIS: Rinnai partage parfois des informations de contact client avec des entreprises que nous croyons offrent des produits ou des services qui peuvent vous être utiles. En fournissant ces renseignements, vous acceptez que nous pouvons partager vos coordonnées à cette fin. Si vous préférez ne pas avoir vos informations partagées avec ces entreprises, veuillez contacter le service clientèle et demandez ne pas d'avoir votre information partagée. Nous allons cependant continuer à vous contacter avec les informations pertinentes pour le produit vous inscris ou vous rendre compte avec nous.

Si vous avez des questions ou se sentent que le manuel est incomplète, veuillez communiquer avec Rinnai au 1-800-621-9419.

## L'information de sûreté importante

### Définitions de sécurité



Ceci est un symbole relatif à la sécurité. Il vous prévient de dangers potentiels qui peuvent blesser ou tuer, vous-même et les autres.



Indication d'une situation imminente dangereuse, qui, si elle n'est pas évitée, peut entraîner des blessures graves voire mortelles.



Indication d'une situation potentiellement dangereuse, qui, si elle n'est pas évitée, peut entraîner des blessures graves voire mortelles



Indication d'une situation potentiellement dangereuse, qui si elle n'est pas évitée peut entraîner des blessures légères ou moyennes. On peut également l'utiliser pour signaler des pratiques non sûres.

## Les pratiques et les comportements de sécurité pour les consommateurs et les installateurs

### AVERTISSEMENT

- Avant d'exploitation, une odeur tout autour de la zone de l'apppliance pour le gaz. Veillez à l'odeur à côté de la parole, parce que certains gaz sont plus lourds que l'air et vont s'installer sur le plancher.
- Garder la zone autour de l'apppliance claire et exempte de matières combustibles, l'essence et autres vapeurs inflammables et des liquides.
- Construction combustible fait référence au plafond et les murs adjacents et ne doit pas être confondue avec les matériaux et produits inflammables ou inflammables. Matériaux et produits inflammables et/ou inflammables doit jamais être stocké dans les environs de cela ou tout appareil de gaz.
- Toujours vérifier la température de l'eau avant d'entrer dans une salle de bains ou douche.
- Pour vous protéger contre les préjudices, avant d'effectuer la maintenance :
  - ◇ Coupez l'alimentation électrique en débranchant le cordon d'alimentation ou en désactivant l'électricité au disjoncteur. (Le contrôleur de température ne contrôle pas la puissance électrique).
  - ◇ Coupez le gaz à la soupape de gaz manuelle, généralement situé immédiatement sous le chauffe-eau.
  - ◇ Coupez l'alimentation en eau entrante. Cela peut se faire à la vanne d'isolement immédiatement au-dessous du chauffe-eau.
- Utilisez seulement votre main pour pousser ou tourner le bouton de contrôle des gaz. Ne jamais utiliser des outils. Si le bouton ne sera pas poussé ou tourner à la main, n'essayez pas de la réparer. Appelez un technicien qualifié. Force ou une tentative de réparation peut entraîner un incendie ou d'explosion.
- N'utilisez pas cette appliance si une partie a été sous l'eau. Appeler immédiatement un technicien qualifié d'inspecter l'apppliance et de remplacer une partie du système de contrôle et n'importe quel contrôle de gaz qui a été sous l'eau.
- Ne pas utiliser les matériaux de substitution. Utilisez uniquement des pièces certifiées avec l'appareil.
- En cas de surchauffe, ou si la coupure du gaz ne se fait pas, fermez l'arrivée de gaz au niveau de la vanne de contrôle manuelle alimentant l'appareil.
- Ajuster pas le commutateur DIP sauf si expressément demandé de le faire.
- N'utilisent pas une rallonge ou un adaptateur brancher avec cet appareil.
- Toute modification de l'appareil ou de ses contrôles peut être dangereuse et permettra d'annuler la garantie.

### ATTENTION

- **RISQUE DE BRÛLURE.** Vent et les gaz d'échappement peuvent provoquer des graves brûlures. Rester loin de l'unité de chauffage de l'eau. Garder les petits enfants et les animaux loin de l'unité.
- Les tuyaux d'eau chaude outlet laissant l'unité peuvent être chauds au toucher. Dans les applications résidentielles, isolation doit être utilisée pour les tuyaux d'eau chaude sous 36 "en raison de brûlure risque pour les enfants.

Droit californien exige le présent avis doivent être fournis :

**Californie Proposition 65** énumère les substances chimiques connues à l'état de causer le cancer, malformations congénitales, décès, maladie grave ou autres dommages reproduction. Ce produit peut contenir ces substances, être à l'origine de la combustion de carburant (gaz, pétrole) ou des composants du produit lui-même.

# Installation d'instructions

## Qualifications d'installateur

Un professionnel autorisé doit installer l'appareil, inspecter et fuite de le tester avant de l'utiliser. La garantie va être annulée en raison de la mauvaise installation.

Le programme d'installation doit posséder des compétences telles que :

- classement par taille de gaz
- reliant les conduites de gaz, de conduites d'eau, de vannes, de l'électricité
- connaissance du national applicable, les États et les codes locaux installing
- l'évacuation par un mur ou un toit

Si vous n'ont pas ces compétences contact un professionnel agréé.

## Type d'installation

Pour installation dans des résidentiel et des applications commerciales.

Certifié pour l'installation dans les foyers (mobiles) fabriqués.

## Étapes d'installation

Préparez-vous à l'installation .....	52
Déterminez l'endroit d'installation .....	53
Liste de vérification pour déterminez l'endroit d'installation .....	58
Bâti à murer .....	58
Enlevez le panneau avant.....	58
Installation de la mise à l'air libre (modèles d'intérieur) .....	59
Condensat (modèles d'intérieur) .....	61
Liste de vérification pour l'évacuation et de condensat (modèles d'intérieur) .....	61
Installation de la tuyauterie .....	62
Liste de vérification pour tuyauterie .....	65
Installation de la fourniture de gaz .....	65
Reliez l'électricité .....	67
Ajustez à l'haute altitude.....	67
Ajuster pour longueur de ventilation (modèles d'intérieur) .....	67
Liste de vérification pour gaz et électricité ....	67
Installation de le contrôleur de température	68
Liste de vérification finale .....	69

## Instructions générales

### NE FAITES PAS

- Le RL75i et RL94i n'est pas prévu pour une installation à l'extérieur.
- Le RL75e et RL94e n'est pas prévu pour une installation à l'intérieur.
- N'installez pas l'appareil dans une région où les fuites d'eau de l'unité ou les connexions se traduira par dommages à la zone adjacente à l'apppliance ou d'abaisser les planchers de la structure. Lorsque ces lieux ne peuvent être évitées, il est recommandé qu'un pan de drain approprié, bien drainé, être installé sous l'appareil. Le pan ne doit pas restreindre débit d'air de combustion.
- Ne pas obstruer le débit d'air de combustion et de ventilation. Air de combustion ne doit pas être fourni des espaces occupés.
- N'utilisez pas cette appliance dans une application comme un appareil de chauffage piscine ou spa qui utilise chimiquement l'eau traitée. (Cette appliance est appropriée pour la grand de remplissage ou de baignoires spa de whirlpool avec de l'eau potable).
- Pas utilisé des pièces de remplacement qui ne sont pas autorisés pour cette appliance.

### DOIT FAIRE

- L'installation doit être en conformité avec les normes locales, et en leur absence avec la *norme américaine sur le gaz combustible, ANSI Z223.1/NFPA 54, ou la norme canadienne sur les installations au gaz naturel et propane, CSA B149.1*. Cet appareil doit être installé selon la *Manufactured Home Construction and Safety Standard, Title 24 CFR, Part 3280* ou la norme *CAN/CSA-Z240 MM M86, Maisons mobiles*.
- L'appareil, quand il est installé, doit être électriquement relié à la terre en conformité avec *la norme américaine électrique, ANSI/NFPA 70, ou la norme canadienne électrique, CSA C22.1*.

- L'appareil et sa vanne de gaz doivent être débranchés de la conduite d'alimentation en gaz durant les essais du système en pression dépassant 1/2 psi (3.5 kPa ou 13,84 pouces de hauteur de colonne d'eau).
- L'appareil doit être isolé du système de conduite d'alimentation en gaz en fermant sa vanne individuelle de coupure durant les essais du système en pression inférieurs ou égaux à 1/2 psi (3.5 kPa ou 13,84 pouces de hauteur de colonne d'eau).
- Vous devez suivre les instructions d'installation et ceux dans les soins et l'entretien d'admission d'air de combustion adéquate et des gaz d'échappement.

### **L'INFORMATION**

- Si un chauffe-eau est installé dans un système fermé d'alimentation en eau, ayant par exemple un dispositif anti-refoulement dans la conduite d'alimentation en eau froide, il faut fournir les moyens de contrôler l'expansion thermique. Contactez le fournisseur d'eau ou un inspecteur en plomberie local sur la façon de gérer cette situation.
- En cas de surchauffe, ou si la coupure du gaz ne se fait pas, fermez l'arrivée de gaz au niveau de la vanne de contrôle manuelle alimentant l'appareil.
- Gardez la zone d'aspiration d'air exempte de produits chimiques comme chlore ou agent de blanchiment qui produisent des fumées. Ces fumées pourraient endommager des composants et réduire la durée de service de votre appareil.

## **Préparez-vous à l'installation**

### **Pièces incluses**

- Chauffe-eau sans Réservoir
- Couleur froide codé (bleu) et chaud (rouge) vannes d'isolement
- Valve de dégagement de pression
- Contrôleur de température de MC-91-2 (intégrées dans les modèles de l'intérieurs ; fourni avec les modèles de plein air)

### **Outils requis**

- Clés à tube(2)
- Pincés réglables
- Tournevis (2)
- Coupe-fil
- Gants
- Verres de sûreté
- Niveau

### **Outils qui pourraient être nécessaires**

- Foret de marteau avec foret béton
- Outil
- Filetage de la machine avec les chefs et le graisseur
- Ensemble de torche
- Foreuse avec foret diamant
- Coupeur de cuivre de tuyauterie
- Coupeur de pipe en acier

### **Les matériaux ont eu besoin**

- Solution de savon
- Mise à l'air libre approuvée
- Bande de teflon (recommandé) ou composé de pipe

### **Matériaux qui peuvent être nécessaires**

- Bande de la chaleur
- Isolation de pipe
- Fil électrique et conduit par code local
- Ancres de mur en béton
- Couverture facultative de pipe
- Contrôleur de température facultative
- 5/8" ID Tuyauterie flexible de PVC
- 2 fil d'A.W.G. du conducteur 22 pour le contrôleur
- Boîte électrique de troupe simple
- Écrous de fil
- Syndicats et soupapes de vidange

## Déterminez l'endroit d'installation

Vous devez vous assurer que les habilitations seront satisfaites et que le cloaque sera dans les limites requises. Tenir compte de l'environnement d'installation, qualité de l'eau et nécessité d'une protection de gel. On trouvera des exigences pour la conduite de gaz, conduites d'eau, connexion électrique et d'élimination de condensat dans leurs sections respectives d'installation de ce manuel.

### Qualité de l'eau

**Examen de diligence pour votre chauffe-eau devrait inclure l'évaluation de la qualité de l'eau**

**L'eau qui contient des substances chimiques dépassant les niveaux inférieurs affectent et endommager l'échangeur de chaleur. Remplacement de l'échangeur de chaleur en raison de dommages de qualité de l'eau n'est pas couvert par la garantie.**

	Niveau maximum
Dureté totale	Jusqu'à 200 mg/L
Aluminium*	Jusqu'à 0,2 mg/L
Chlorures*	Jusqu'à 250 mg/L
Cuivre*	Jusqu'à 1,0 mg/L
Fer*	Jusqu'à 0,3 mg/L
Manganèse*	Jusqu'à 0,05 mg/L
pH *	6,5 à 8,5
Matières dissoutes totales (MDT)*	Jusqu'à 500 mg/L
Zinc *	Jusqu'à 5 mg/L

\* Source : Partie 143 réglementations nationales d'eau potable secondaire

Si vous installez ce chauffage de l'eau dans une région qui est connu pour avoir de l'eau dure ou qui provoque l'échelle accumulation de l'eau doit être traitée et/ou l'échangeur de chaleur vidées régulièrement.

Lorsque l'accumulation d'échelle dans l'échangeur de chaleur commence à affecter les performances du chauffe-eau, un code de diagnostic « LC# » s'affichera. Vider l'échangeur de chaleur pour prévenir les dommages à elle. Échelle build up est causée par l'eau dure définie à haute température.

Un kit de traitement de l'eau est disponible depuis Rinnai. Ce kit fournit un contrôle de la prévention et à la corrosion calcaire supérieur par un mélange de composés de contrôle d'alimentation dans l'approvisionnement en eau.

103000022	103000023	103000024
Installé sur la ligne d'eau froide fournissant 1 chauffe-eau uniquement	Toute maison ou Light Commercial fournissant 1 chauffe-eau	Ensemble fournissant Accueil chauffe-eau 2 ou 1 chauffe-eau en éclairage Commercial
Cartouche 103000025	Cartouche 103000026	Cartouche 103000026

## Environnement

Air entourant le chauffe eau, l'évacuation et l'évent termination(s) est utilisé pour la combustion et doit être libre de tout composés qui causent la corrosion des composants internes. Ces comprennent des composés corrosifs qui sont trouvent dans les aérosols, les détergents, les agents de blanchiment, les solvants de nettoyage, huile de base peintures et vernis et fluides frigorigènes. L'air de beauté boutiques, magasins de nettoyage à sec, laboratoires de traitement de photos et aires de stockage des fournitures pool contient souvent ces composés. Par conséquent, il est recommandé que les modèles extérieurs soient utilisés pour ces endroits lorsque c'est possible.

Le chauffe-eau, l'évacuation et l'évent termination(s) ne doit pas être installé dans toutes les zones où l'air de combustion peut contenir ces composés corrosifs. Si cela est nécessaire pour un chauffe-eau à être situés dans des zones qui peuvent contenir des composés corrosifs, les instructions suivantes sont fortement recommandées.

### Considérations importantes pour:

#### Chauffe-eau d'intérieur

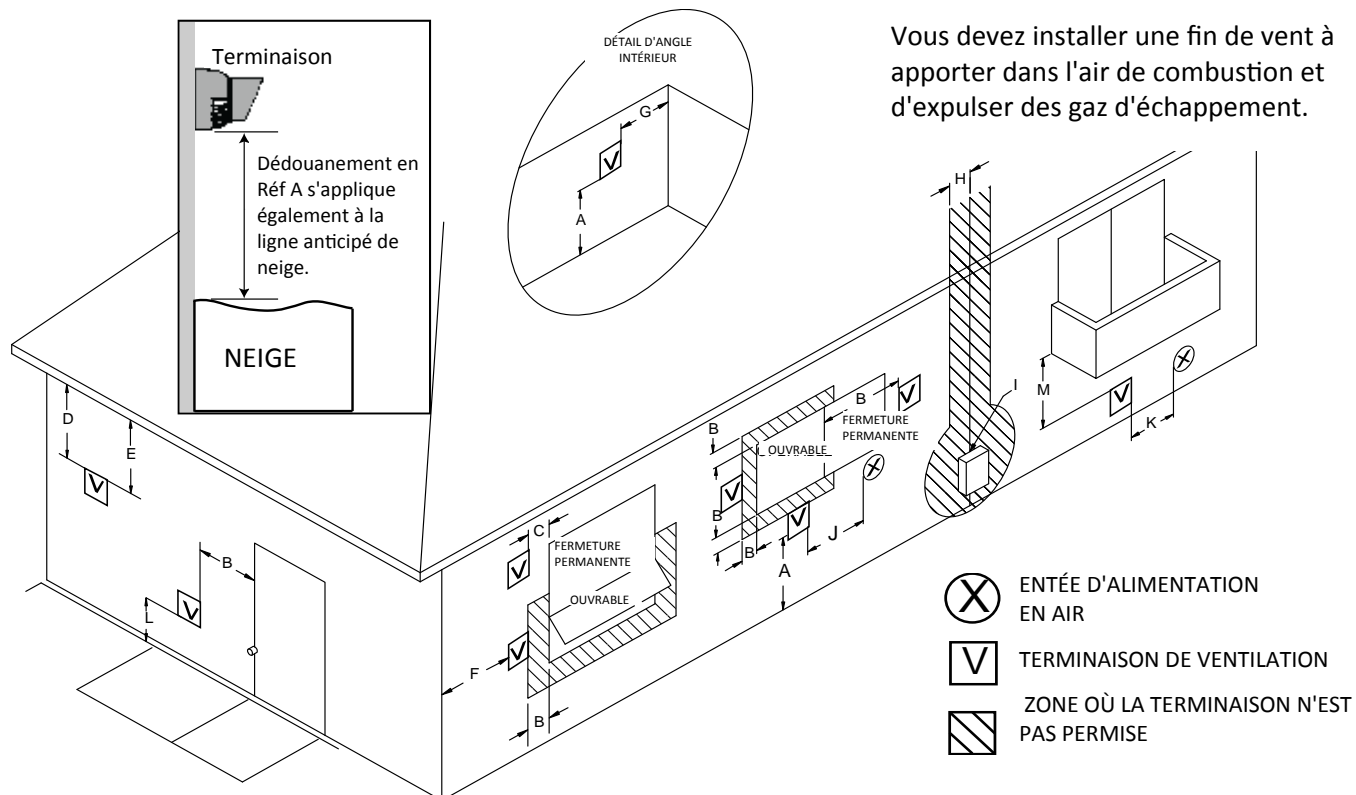
- FAIRE pas les installer dans les zones où air de combustion peut être contaminé par des substances chimiques.
- Avant l'installation, examiner où air a la capacité de voyager dans l'immeuble pour le chauffage de l'eau.
- Lorsque c'est possible, installez le chauffe-eau dans un placard scellé afin qu'elle est protégée contre le potentiel de l'air intérieur contaminé.
- Substances chimiques qui sont corrosifs dans la nature ne doivent pas stockées ou utilisées près de chauffe-eau.

#### Chauffe-eau extérieurs et Évacuation des terminaisons de chauffe-eau internes

- Installez le chauffe-eau aussi loin que possible des hottes de ventilation d'échappement.
- Installez aussi loin que possible des bouches d'air inlet. Fumées corrosives peuvent être libérées par le biais de ces événements lorsque l'air n'est pas apportée grâce à eux.
- Substances chimiques qui sont corrosifs dans la nature ne devraient pas stockées ou utilisées près de la cessation de chauffage ou de vent de l'eau.

Dommages et réparation en raison de composés corrosifs dans l'air n'est pas couvert par la garantie.

## Espacements pour terminaison de cheminée (ANS Z21.10.3, CSA 4.3)



Réf.	Description	Installations au Canada	Installations aux USA
A	Espace au dessus de niveau du sol, véranda, porche, plate-forme ou balcon	12" (30 cm)	12" (30 cm)
B	Écartement par rapport à fenêtre ou porte qui peut s'ouvrir	36" (91 cm)	12" (30 cm)
C	Écartement par rapport à fenêtre toujours fermée	*	*
D	Espacement vertical par rapport à combles ventilés, situés au-dessus de la terminaison à une distance horizontale de 2' (61 cm) de la ligne centrale de terminaison	*	*
E	Espacement vertical par rapport à combles non ventilés	*	*
F	Écartement par rapport à un angle extérieur	*	*
G	Écartement par rapport à un angle intérieur	*	*
H	Espacement par rapport à chaque côté d'une ligne centrale prolongée au-dessus de l'ensemble de compteur/régulateur	3 pieds (91 cm) avec une hauteur de 15 pieds (4,5 m) au-dessus de l'ensemble de régulation	*
I	Écartement par rapport à la sortie de ventilation du régulateur de service	36" (91 cm)	*
J	Écartement par rapport à entrée d'alimentation d'air non mécanique dans le bâtiment ou entrée d'air de combustion vers tout autre appareil	36" (91 cm)	12" (30 cm)
K	Écartement par rapport à entrée d'alimentation d'air mécanique	6' (1,83 m)	3' (91 cm) au dessus si à 10' (3 m) horizontalement
L	Espacement au dessus d'un trottoir ou passage pavé situé dans le domaine public	7' (2,13 m) ①	*
M	Espacement sous véranda, porche, plate-forme ou balcon	12" (30 cm) ②	*

① Une ventilation ne doit pas se terminer directement au-dessus d'un trottoir ou passage pavé situé entre deux habitations familiales et les desservant toutes les deux.

② Permis uniquement si véranda, porche, plate-forme ou balcon est entièrement ouvert au moins sur deux côtés en dessous du plancher.

\* Pour les espacements non spécifiés dans ANSI Z223.1/NFPA 54 ou CSA B149.1, il faut appliquer les valeurs conformes aux normes locales d'installation et aux exigences du fournisseur de gaz.

L'espacement par rapport au mur opposé est de 24" (60 cm) pour Canada et USA.

## Dégagements additionnels

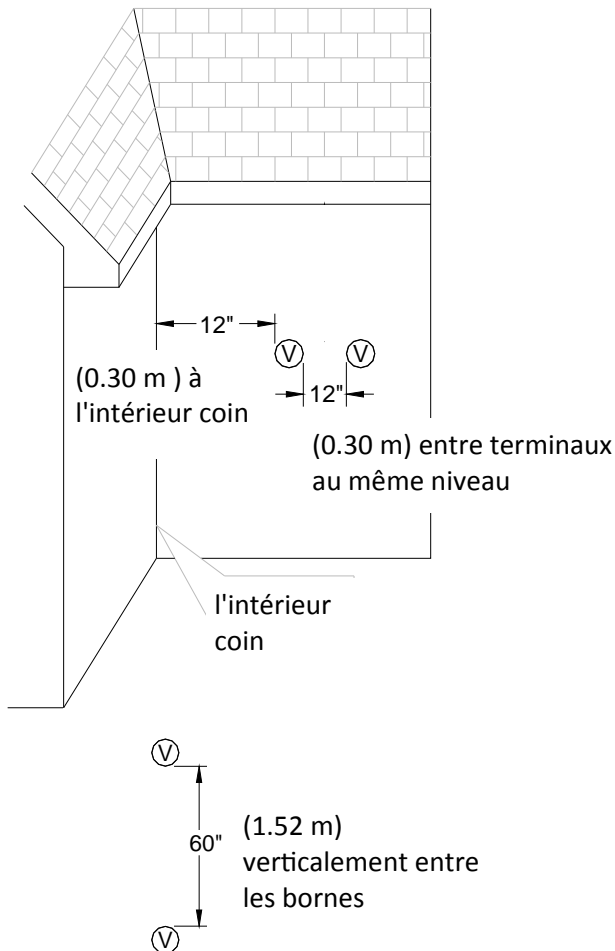
Vérifier si les codes locaux remplacent ces habilitations.

- Éviter les endroits de résiliation près d'un évent sécheur.
- Évitez les endroits de résiliation près d'échappement cuisson commercial.
- RL75i, RL94i: Vous devez installer une résiliation de vent au moins 12 pouces du sol

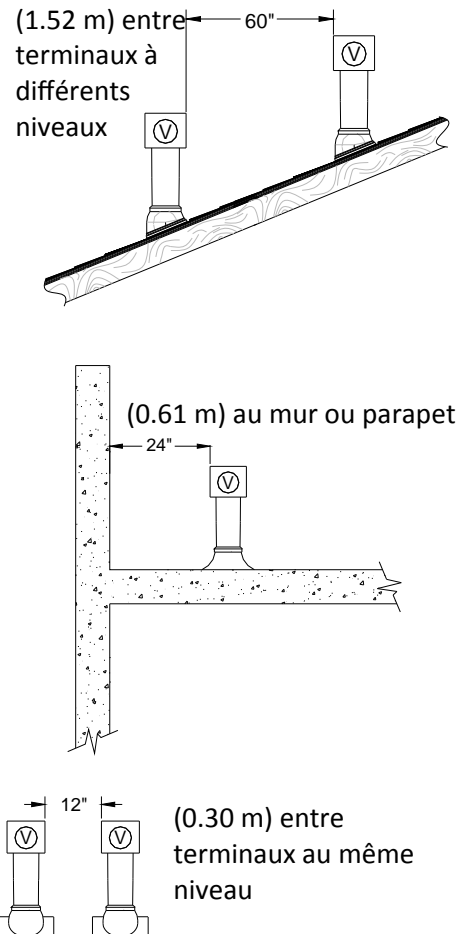
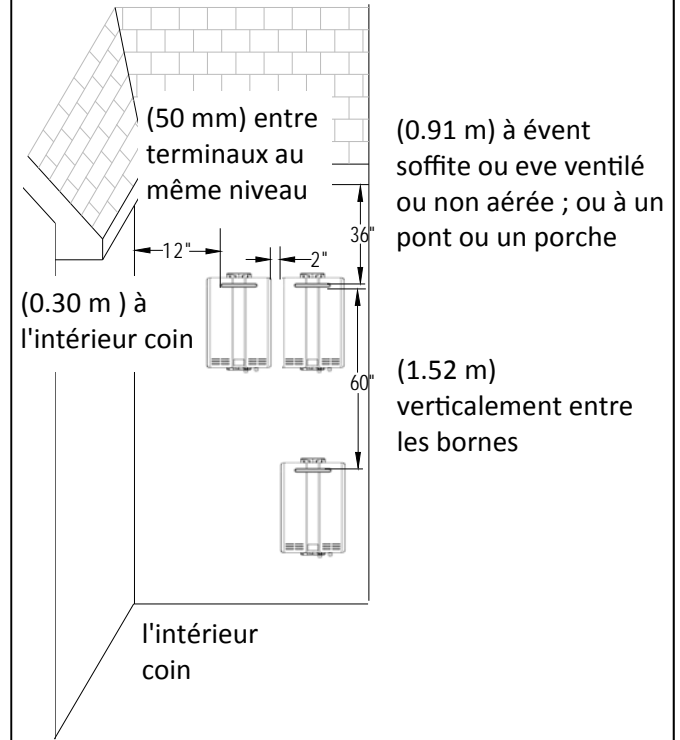
### RL75i, RL94i

Des considérations importantes pour la localisation d'évent résiliation sous un soffite (ventilés ou unventilated ou vent de débord ; ou à un pont ou un porche

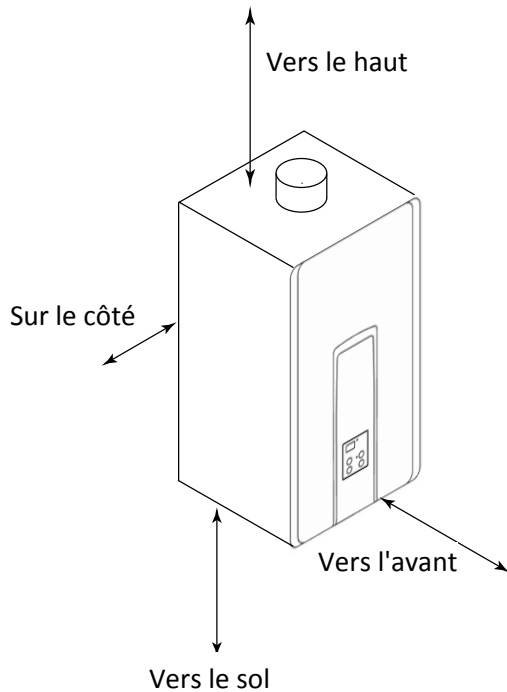
- N'installez pas de cessation de vent sous un évent soffite telle que les gaz d'échappement peut entrer dans l'évent soffite.
- Installez évent résiliation tel que la hausse de l'humidité et de gaz d'échappement ne recueillera pas sous combles. Décoloration à l'extérieur du bâtiment pourrait se produire si installé trop près.
- N'installez pas la résiliation de vent trop près sous l'embrasure où il pouvait présenter la recirculation des gaz d'échappement dans la partie d'apport en air combustion de la résiliation.



### RL75e, RL94e



## Dégagements d'unité



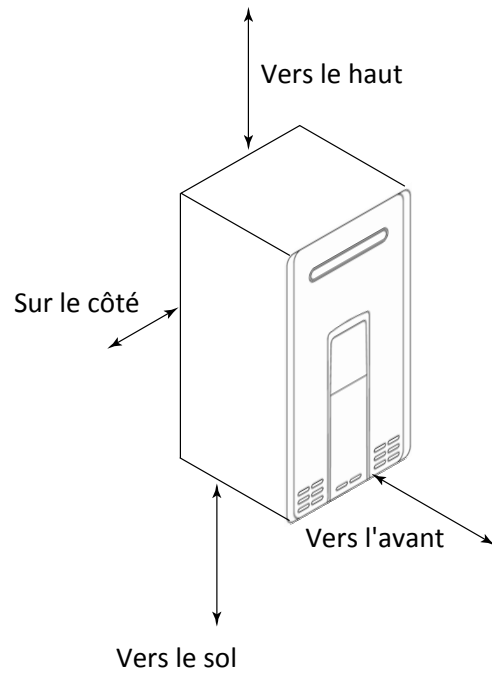
Modèles d'intérieur: RL75i, RL94i

	Jusqu'à matières combustibles pouces (mm)	Jusqu'à matières non- combustibles pouces (mm)
Dessus du chauffe-eau	6 * (152)	2 *(51)
Arrière du chauffe-eau	0 (zero)	0 (zero)
Avant du chauffe-eau	6 (152)	6 (152)
Côtés du chauffe-eau	2 (51)	1/2 (13)
Par rapport au plancher/sol	12 (305)	12 (305)
Ventilation	0 (zero)	0 (zero)

\* 0 pouces des composants de ventilation et de la canalisation de vidange condensat.

L'espacement pour des interventions doit faire 24 pouces (610 mm) sur l'avant du chauffe-eau.

Pour installation en placard : espacement de 6 pouces (152 mm) à l'avant.



Modèles extérieurs: RL75e, RL94e

	Jusqu'à matières combustibles pouces (mm)	Jusqu'à matières non- combustibles pouces (mm)
Dessus du chauffe-eau	12 (305)	2 (51)
Arrière du chauffe-eau	0 (zero)	0 (zero)
Avant du chauffe-eau (panneau)	24 (610)	0 (zero)
Avant du chauffe-eau (échappement)	24 (610)	24 (610)
Côtés du chauffe-eau	6 (152)	1/8 (3.2)
Par rapport au plancher/sol	12 (305)	2 (51)

L'espacement pour des interventions doit faire 24 pouces (610 mm) sur l'avant du chauffe-eau.



## Longueur maximum de ventilation

1. Déterminez le nombre de coudes à 90° dans le système de ventilation (deux coudes à 45° comptent pour un coude à 90°. Sur les modèles R98 chaque pied de conduite semi flexible utilisée dans la longueur d'inspiration d'air équivaut à un coude à 90°).
2. Référez-vous au tableau pour trouver la longueur de ventilation maximum sur la base du nombre de coudes.

Nombre de coudes à 90°	Longueur maximum de ventilation
0	41 ft (12.5 m) ①
1	35 ft (10.7 m) ②
2	29 ft (8.8 m) ③
3	23 ft (7.0 m) ④
4	17 ft (5.2 m) ④
5	11 ft (3.4 m) ④
6	5 ft (1.5 m) ④

3. Suivez les recommandations de la note applicable. SW1 (commutateurs fauve)
  - ① Si la longueur fait plus de 21' (6,4 m) passez le microcommutateur N° 1 (SW1) en position OFF.
  - ② Si la longueur fait plus de 15' (4,6 m) passez le microcommutateur N° 1 (SW1) en position OFF.
  - ③ Si la longueur fait plus de 9' (2,7 m) passez le microcommutateur N° 1 (SW1) en position OFF.
  - ④ Passez le microcommutateur N° 1 (SW1) en position OFF.

Exemple : Si vous avez un coude ensuite votre longueur maximale est 35 pieds (10,7 m). Si votre longueur réelle est supérieure à 15 pi (4,6 m) puis déplacez commutateur no 1 (SW1) off.

### AVIS

Si vous avez une longueur de ventilation plus grande, le microcommutateur N° 1 doit être mis en position OFF. Cela assure que le chauffe-eau fonctionne correctement. Des codes d'erreur de conduit de cheminée obstruée et des coupures peuvent arriver si ce microcommutateur N° 1 n'est pas en position correcte.

## Protection de gel

Assurez-vous que dans le cas de congélation météo que le chauffe-eau et ses lignes de l'eau sont protégés pour éviter le gel. Dommages causés à la congélation n'est pas couvert par la garantie.

Perte de gel protection peut entraîner des dégâts d'eau d'un échangeur de chaleur de rafale ou des conduites d'eau.

Avec l'énergie électrique fournie, le chauffe-eau gèleront pas lorsque la température de l'air extérieur est froide comme -22° F (-30 ° c) pour les modèles de l'intérieurs ou est froid comme -4° F (-20 ° c) pour les modèles en plein air, lorsque le protégé du vent directe. En raison de l'effet de « éolien », tout vent ou la circulation de l'air sur l'unité réduira sa capacité de geler les protéger.

L'unité peut être drainée manuellement. Toutefois, il est fortement recommandé que :

- Égoutter down solénoïde soupapes sont installés qui s'écoulera automatiquement l'unité si de puissance est perdue. Celles-ci sont disponibles dans un kit, 104000059.
- un parasurtenseur avec terminaux est installé qui permet les électrovannes à fonctionner si l'unité est désactivée en raison d'un code de diagnostic. Ceci est disponible comme 104000057.

En outre, les électrovannes devraient être connectés électriquement à un parasurtenseur avec terminaux. Cela permet les électrovannes à exploiter si le chauffe-eau est désactivé en raison d'un code de diagnostic.

Les fonctionnalités de protection de gel n'empêchera pas la tuyauterie externe du point de congélation. Il est recommandé que les conduites d'eau chaudes et froides sont isolés. Boîtiers de couverture de tuyaux peuvent être emballés avec isolation pour la protection de l'ajout de gel.

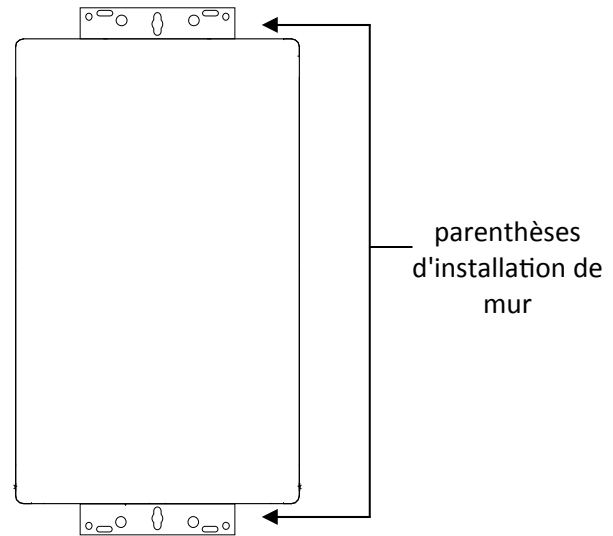
En cas de panne de courant à des températures de congélation de l'eau réchauffeur devrait être drainé de l'eau pour prévenir les dommages au gel.

Le condensat piège drain plug et le bouchon de vidange de l'eau ne sont pas affectés par le drain auto down électrovannes et devront être ouverts manuellement.

## Liste de vérification pour déterminer l'endroit d'installation

- Le chauffage de l'eau n'est pas corrosifs composés dans l'air.
- L'emplacement de chauffage de l'eau est conforme avec les dégagements.
- (Modèles d'intérieur) La ventilation prévue ne dépassera pas la longueur maximale pour le nombre de coudes utilisé.
- L'emplacement d'apport résiliation/air ventilation prévues réunit les dégagements.
- L'approvisionnement en eau ne contient pas de produits chimiques ou dépasse la dureté totale qui nuira à l'échangeur de chaleur.
- Un standard 3 prong 120 Vca, 60 Hz correctement fondée sur une prise murale (modèles d'intérieur) ou autres 120 Vca, 60 Hz source est disponible.
- L'installation doit être en conformité avec les normes locales, et en leur absence avec la *norme américaine sur le gaz combustible, ANSI Z223.1/ NFPA 54, ou la norme canadienne sur les installations au gaz naturel et propane, CSA B149.1*. Cet appareil doit être installé selon la *Manufactured Home Construction and Safety Standard, Title 24 CFR, Part 3280* ou la norme *CAN/CSA-Z240 MM M86, Maisons mobiles*.
- Quitter l'ensemble du Manuel de ruban pour le chauffe-eau ou donner le Manuel directement au consommateur.**

## Bâti à murer



1. Identifiez l'emplacement d'installation et confirmez que là les espacements requis seront respectés.
2. Fixez bien le chauffe-eau au mur en utilisant n'importe lesquels des trous des supports d'installation murale placés en haut et en bas du chauffe-eau. Assurez-vous que la résistance des fixations est suffisante pour supporter le poids de l'appareil. Reportez-vous au poids des modèles de chauffe-eau dans la section des spécifications. Utilisez un outil de mise à niveau pour s'assurer que le chauffe-eau est de niveau. Bon fonctionnement exige que le chauffe-eau niveau.

NOTE : Le chauffe-eau doit être installé en position verticale. N'installez pas la tête en bas ou sur le côté.

## Enlevez le panneau avant

Glisser les morceaux de garnitures plastique de chaque côté du chauffe-eau à exposer les vis.

Retirez les 4 vis y attacher le panneau pour le chauffage de l'eau.

## Installation de la mise à l'air libre (modèles d'intérieur)

Installez la ventilation correcte pour votre modèle, en suivant les instructions du fabricant de ventilation.

Reportez-vous à la documentation technique du fabricant pour les numéros de pièce spécifiques et des instructions.

Constructeur	Produits de ventilation listés et testés (RL75i, RL94i)	Téléphone	Fax	Contact
Ubbink	Rolux Vent System	888-835-9320	678-829-1666	www.rinnai.us
Heat-Fab	Saf-T Vent SC system	800-772-0739	413-863-4803	custsvc@heat-fab.com, www.heatfab.com
Metal-Fab	Corr/Guard Vent/Air Intake	800-835-2830	316-943-2717	info@mtlfab.com, www.metal-

### Directives de mise à l'air libre

#### **NE FAITES PAS**

- N'utilisez pas de vent cette applique en PVC, CPVC, ABS ou matériau galvanisé.
- Ne se combinent pas évent composants provenant de différents fabricants.
- Diamètre de vent ne doit pas être réduite
- Ne pas connecter le système de ventilation avec un vent existant ou de la cheminée.
- Ne vent pas commun avec le tuyau d'évacuation d'autres chauffe-eau ou applique.

#### **DOIT FAIRE**

- Cette chauffe-eau est un chauffe-eau à évent direct et par conséquent est certifié et listé avec le système d'évacuation. Vous devez utiliser des composants de vent qui sont certifiés et répertoriés avec le modèle de chauffage de l'eau.
- Le système d'évacuation doit évacuer directement à l'extérieur de l'édifice et utiliser l'air extérieur pour la combustion.
- Éviter les trempettes ou courbure dans vent horizontal s'exécute en installant des supports par le vent du fabricant.
- Vent horizontal de soutien s'exécute tous les quatre pieds et tous les événements verticale s'exécute chaque six pieds ou conformément aux codes locaux.

- Ventilation devrait être aussi directe que possible avec un nombre minimal de raccords de tuyauterie.
- Événements connexions doivent être fermement pressées ensemble afin que les joints d'étanchéité forment un joint étanche à l'air.
- La pièce de vent reliée à l'appareil de chauffage de l'eau doit être sécurisée avec une vis autotaraudeuses.

#### **L'INFORMATION**

- Reportez-vous aux instructions du fabricant de système de vent pour les instructions d'assembly de composant.
- Si le système d'évacuation est d'être enfermé, il est suggéré que la conception de l'enceinte doit permettre d'inspection du système de ventilation. La conception de cette enceinte est réputée acceptable par le programme d'installation ou de l'inspecteur local.

#### **AVIS**

S'il devient nécessaire d'accéder à un système d'évacuation fermée pour le service ou les réparations, Rinnai n'est pas responsable des frais ou des difficultés à accéder au système de ventilation. La garantie ne couvre pas obtenir accès à un système de ventilation en milieu fermé.

## Installation de conduit de cheminée (modèles d'intérieur)

### Résiliation horizontale sans utiliser le collecteur de condensat



#### AVERTISSEMENT

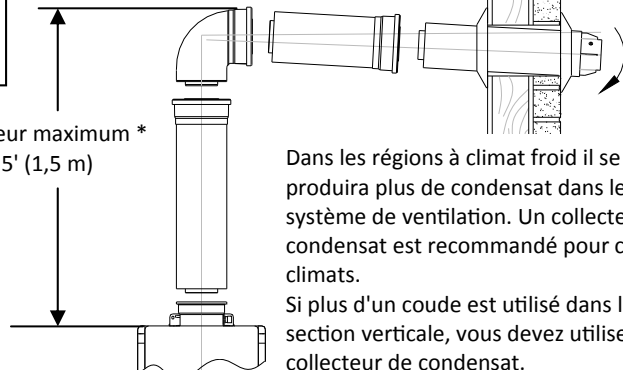
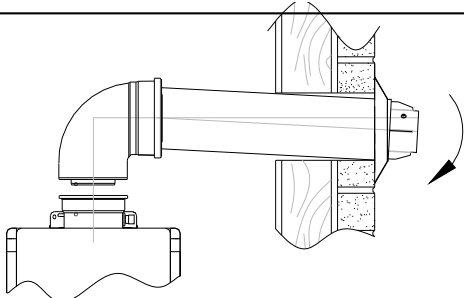
Si un collecteur de condensat n'est pas utilisé, le tuyau de drainage doit être capuchonné pour éviter que gaz d'échappement et condensat n'entrent dans le bâtiment. Ce capuchon est livré sur l'appareil.

\* Un collecteur de condensat est requis sur les terminaisons horizontales si une élévation verticale dans le système de ventilation dépasse 5' (1,5 m).

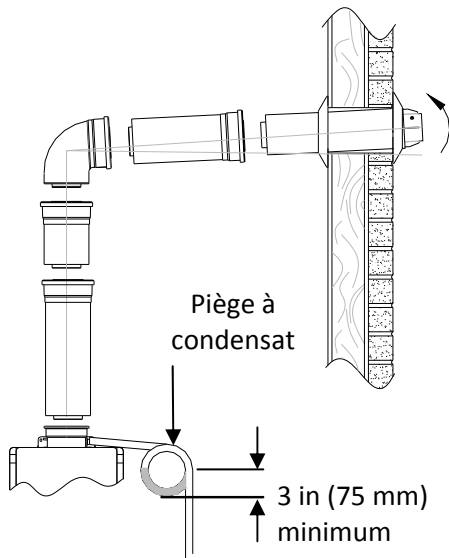
Hauteur maximum \*  
5' (1,5 m)

Dans les régions à climat froid il se produira plus de condensat dans le système de ventilation. Un collecteur de condensat est recommandé pour ces climats.

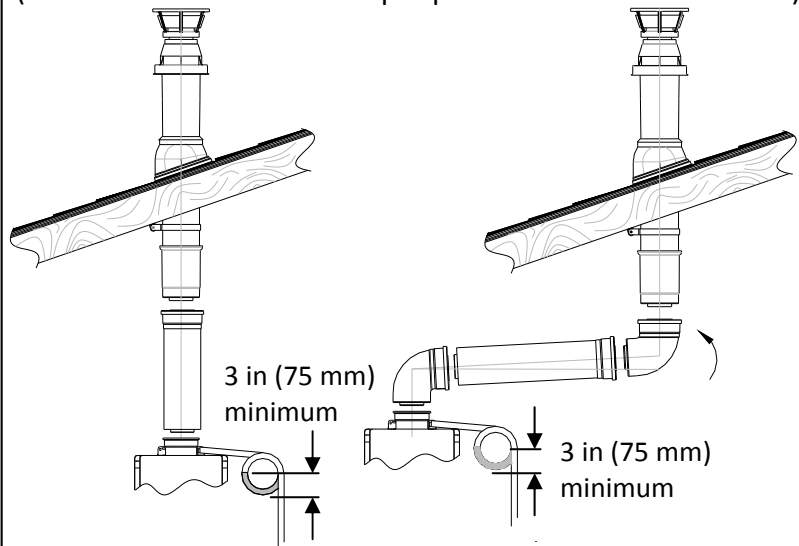
Si plus d'un coude est utilisé dans la section verticale, vous devez utiliser un collecteur de condensat.



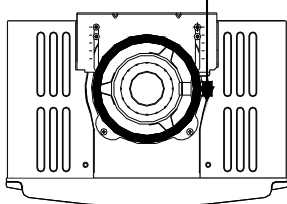
### Terminaison horizontale avec collecteur de condensat



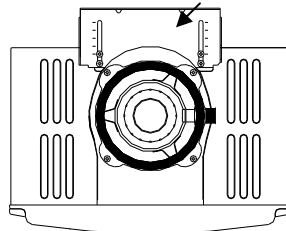
### Terminaison verticale (collecteur de condensat requis pour toutes les installations)



Collecteur de condensat



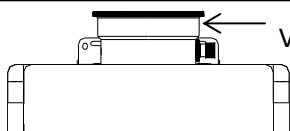
Support



Pour régler la position du collecteur de condensat, ou remplacer le haut de ventilation femelle par un male :

1. Desserrez les 4 vis du support arrière.
2. Faites glisser le support du haut de ventilation femelle.
3. Enlevez les 4 vis fixant le haut de ventilation femelle sur le chauffe-eau.
4. Levez le haut de ventilation femelle et repositionnez-le comme souhaité (ou remplacez-le par un haut de ventilation male).
5. Remettez les 4 vis du haut de ventilation et resserrez les 4 vis du support.

Vis de fixation



Fixez la pièce de ventilation connectée sur le chauffe-eau avec une vis autotaraudeuse dans le trou situé au dessus du collecteur de condensat.

## Condensat (modèles d'intérieur)

La formation de condensat peut arriver même sur les appareils à ventilation directe de haute performance. Pour éviter que le condensat n'endommage, suivez ces instructions :

### **NE FAITES PAS**

- Ne permettent pas de condensat d'entrer dans le chauffe-eau. Ne permettent pas de condensat d'entrer dans le chauffe-eau.
- Ne branchez pas le tuyau de cerceaux condensat directement à l'égout de pluie.
- Ne branchez pas la ligne de cerceaux condensat avec une climatisation Evaporateur bobine des cerceaux.

### **DOIT FAIRE**

- Utiliser uniquement le vent qui est approuvé et identifié comme acceptable pour votre modèle particulier.
- Pente la ventilation vers l'apppliance selon les instructions d'installation du fabricant évent.
- Rejetez le condensat en respectant les normes locales.
- Utilisation de matériaux seulement résistant à la corrosion pour le condensat drainent lignes telles que les tuyaux en PVC ou en plastique.
- Le tuyau de cerceaux condensat (sur toute sa longueur) doit être au moins le même diamètre que la ligne de cerceaux (1/2 pouce NPT).
- La fin de la conduite de cerceaux condensat doit être ouverte à l'atmosphère. La fin ne devrait pas être sous l'eau ou d'autres substances.
- Pour minimiser la congélation du condensat, exécutez la ligne de cerceaux de condensat à travers un mur intérieur ou entre l'isolation et un mur intérieur.

### **L'INFORMATION**

- Un collecteur de condensat intégré.
- Dans les régions à climat froid il se produira plus de condensat dans le système de ventilation. Un collecteur de condensat est recommandé climats.
- Le tuyau de vidange de condensat devrait être le plus court possible et avoir un terrain à la baisse.
- Si le drain de condensat obtient bloqué, un code d'erreur s'affichera sur le contrôleur. Si cela se produit, le drain de condensat doit être nettoyé.
- Le piège de condensat sera premier automatiquement (self-prime) pendant le fonctionnement de l'unité comme des formes de condensat. Condensat de drainage de l'unité indique que le piège est complet et qu'il n'y a aucun blocage dans le drain de condensat. Il n'est pas nécessaire d'ajouter de l'eau du piège de condensat.

### **Liste de vérification pour l'évacuation et de condensate (modèles d'intérieur)**

- Vérifiez les habilitations appropriées autour des évents et les prises d'air.
- S'assurer que vous avez utilisé les produits de ventilation correctes pour le modèle installé et que vous avez complètement suivi les instructions d'installation du fabricant de ventilation et ces instructions d'installation.
- Vérifiez que le système d'évacuation ne dépasse pas la longueur maximale pour le nombre de coudes utilisé.
- Vérifiez que le tuyau de ventilation a une pente descendante ou un grade à l'extérieur du 1/4 pouce par pied (1.2° ) OR si le tuyau de ventilation est incliné vers le chauffe-eau (comme certains codes locaux exigent), qu'un collecteur de condensat est installé pour permettre la condensation de drainer loin du chauffe-eau à une source de drain approprié.
- Vérifiez que condensat ne peut s'écouler vers le chauffe-eau.

## Installation de la tuyauterie

Installez la soupape conformément à ces instructions.

Une soupape de sûreté est nécessaire, d'un type approuvé par les *normes américaines (ANSI Z21.10.3) et canadiennes (CSA 4.3)* pour tous les systèmes de chauffage par eau.

### Soupape de sûreté

#### **NE FAITES PAS**

- Ne bouchez pas la soupape de sûreté, et n'installez aucun raccord réducteur ou autre restriction dans la conduite de déversement. Elle doit permettre un drainage complet de la soupape et de la conduite.
- Ne pas placer toute autre soupape de type ou fermer dispositif entre la soupape et le chauffe-eau.

#### **DOIT FAIRE**

- La soupape de sûreté doit être compatible avec les *normes ANSI Z21.22 (soupapes de sûreté et dispositifs de coupure automatique de gaz pour systèmes de fourniture d'eau chaude) et/ou CAN1-4.4 (soupapes de sûreté combinées à pression et à température et soupapes casse-vide)*.
- La soupape de sûreté doit être homologuée pour 150 PSI (1034 kPa) et au moins la valeur maximum de BTU/H de l'appareil.
- Le déversement venant de la soupape de sûreté doit être amené par tuyau au sol ou dans un système de drainage pour éviter une exposition avec possibilité de brûlure pour humains, végétaux ou animaux. Conformez-vous aux normes locales. L'eau chaude sortant de la soupape de sûreté peut causer des brûlures sévères et des échaudages pouvant même provoquer la mort.
- La soupape de sûreté doit être actionnée manuellement au moins une fois par an pour vérifier qu'elle est toujours fonctionnelle.
- La soupape de sûreté doit être insérée dans la conduite de sortie d'eau chaude en suivant les instructions du fabricant. N'intercalez PAS n'importe quel autre type de vanne ou dispositif de coupure entre la soupape de sûreté et le chauffe-eau.

## **L'INFORMATION**

- Si une soupape de sûreté déverse périodiquement, cela peut venir d'une expansion thermique dans un système d'eau fermé. Contactez votre fournisseur d'eau ou votre inspecteur de plomberie local pour voir comment régler cette situation. Mais ne bouchez pas la soupape.
- La norme nationale américaine (*ANSI Z21.10.3*) ou canadienne (*CSA 4.3*) n'exigent d'utiliser une soupape de sûreté combinée à pression et à température pour cet appareil. Cependant des normes locales peuvent le demander.

### **Vannes d'isolement**

Vannes d'isolement sont inclus dans cette chauffe-eau. Rinnai recommande fortement l'installation de vannes d'isolement sur les lignes de l'eau chaude et froide. Parce qu'ils permettent d'isoler le chauffe-eau de la structure de la plomberie et permettre un accès rapide à vider l'échangeur de chaleur. Flushing l'échangeur de chaleur est régulièrement nécessaire dans le cadre de l'entretien pour ce chauffe-eau.

### Conditions sifflantes

#### **NE FAITES PAS**

- N'introduisent pas de produits chimiques toxiques tels que ceux utilisés pour le traitement de l'eau de chaudière à l'eau potable utilisée pour le chauffage de l'espace.

#### **DOIT FAIRE**

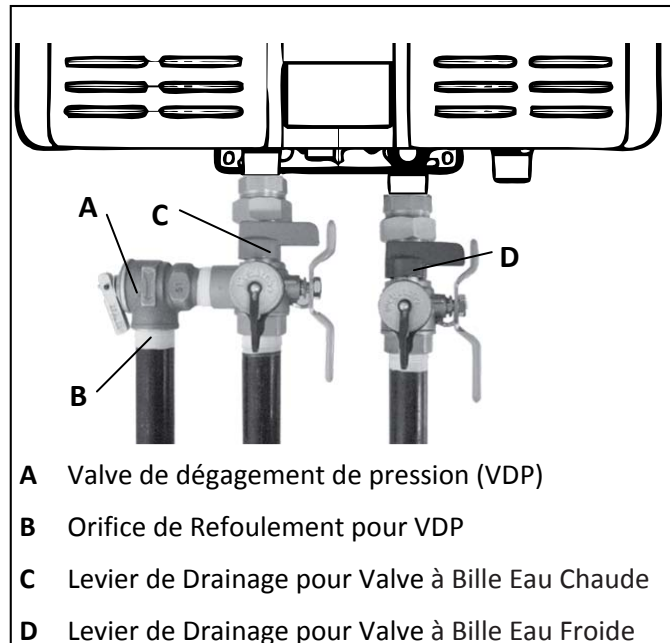
- Une vanne manuelle de coupure d'eau doit intercalée sur la conduite en amont sur l'arrivée d'eau au chauffe-eau. Des raccords union peuvent s'utiliser sur les conduites d'eau froide et d'eau chaude pour faciliter les interventions ultérieures avec déconnexion de l'unité.
- La tuyauterie (incluant les matériaux de soudage) et les composants connectés à cet appareil doivent être approuvés pour une utilisation sur des systèmes à eau potable.
- Purgez la conduite d'eau pour en éliminer les débris et l'air. Des débris entrant dans le chauffe-eau pourraient l'endommager.
- Si l'appareil doit être utilisé comme source d'eau potable, il ne doit pas être connecté à un appareil utilisé auparavant comme chauffage et fourniture d'eau non potable.
- Le filtre d'eau du chauffage doit être propre et installé.

## Installez Valve à Bille / Valve de dégagement de pression

Les soupapes d'isolement offrent la possibilité d'isoler le chauffe-eau de la structure plomberie et de permettre un accès rapide à vider l'échangeur de chaleur. Vérifiez auprès des codes locaux pour déterminer si une soupape de pression et de température est nécessaire. Les valves inclus rencontrer American National Standard (ANSI Z21.10.3)-norme canadienne (ASC 4.3) et sont ANSI/NSF 65 approuvé pour l'eau potable.

### Instructions d'Installation:

1. Enveloppez les bouts filetés des prises d'eau et sorties d'eau du chauffe-eau sans réservoir, ainsi que le bout fileté de la valve de détente approuvée avec un minimum de 5 enrobages de bande Teflon®.
2. Vissez la valve de dégagement de pression dans les bouts filetés 3/4" à l'opposé du levier pour clapet de retenue sur la valve de service à eau CHAUDE. (Lever de drainage ROUGE).
3. Desserrez l'écrou union de 3/4" sur la valve à eau CHAUDE et raccordez le à la sortie d'eau CHAUDE sur le chauffe-eau sans réservoir. Si l'écrou est enlevé, assurez-vous de réaligner l'about correctement avec la valve et que la rondelle noire soit positionnée de façon à ce que le l'arête de métal de la valve soit à l'intérieur de la rondelle.
4. Alignez la direction du purgeur d'eau CHAUDE à la position désirée.
5. Resserrez l'assemblage union de la valve à eau CHAUDE en utilisant approximativement 15 pied-livres de torsion.
6. Répétez les étapes 3-5 pour la valve à eau FROIDE. (Lever de drainage BLEU) pour la connexion de la prise d'eau FROIDE sur le chauffe-eau sans réservoir.
7. Raccordez l'ENTRÉE de la valve à eau FROIDE à la source d'alimentation en eau PRINCIPALE.
8. Raccordez la SORTIE de la valve à eau CHAUDE à l'EAU CHAUDE du système de plomberie.
9. Assurez-vous que les deux leviers de drainage soient en position fermée, (perpendiculaires à la portion drainage du corps).



### Valve de dégagement de pression Instructions d'Installation:

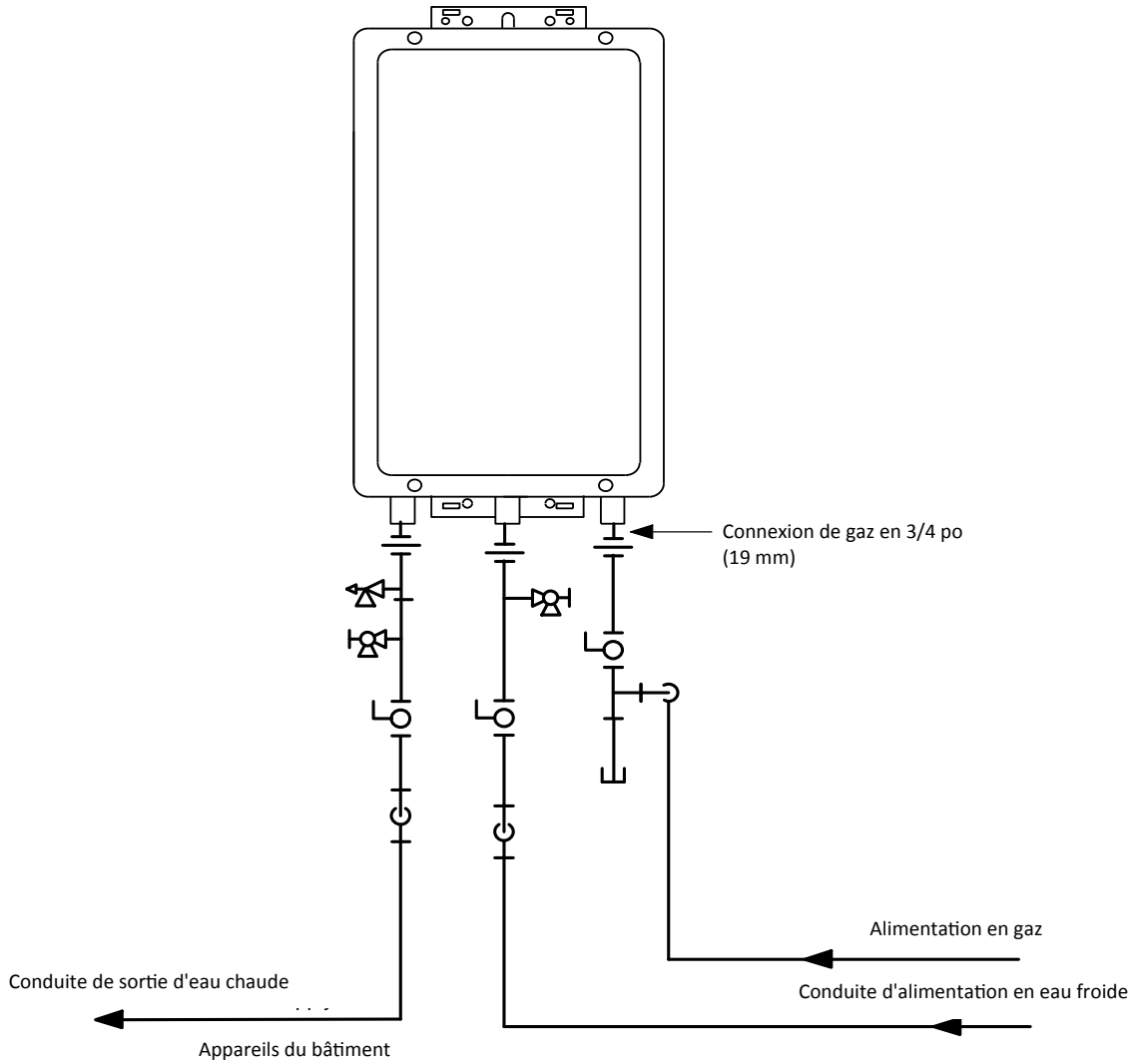
La VDP doit être raccordée par la connexion filetée opposée à la valve pour clapet de retenue sur la valve d'eau chaude (désignée par le levier de drainage ROUGE) ou par la connexion filetée du côté de l'accessoire de relocalisation au dessus de la valve à eau chaude. L'installation doit maintenir un diamètre de passage de 3/4" sans aucune valve de sectionnement ou restriction de ligne entre l'appareil et la VDP. La conduite de refoulement depuis la VDP devrait être en pente descendante et se terminer à 6" au dessus des drains où le refoulement sera visible. Le bout de refoulement de la ligne devrait être non-fileté et avoir un diamètre minimum de 3/4". La matériel de la ligne de refoulement doit être adapté pour une température d'eau de 180° Fahrenheit et ne doit pas dépasser 30 pieds de longueur ni contenir plus de 4 coudes ou flexions transversales. Aucune valve d'aucune sorte ne doit être installée dans la ligne de refoulement de la valve de dégagement de pression.



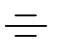

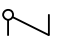
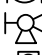


### Pression Relief Valve entretien:

Pour les bons soins de cette soupape approuvé, il est recommandé que la soupape est commandée manuellement une fois par an. Pour ce faire, il sera nécessaire totake précautions à la décharge des brûlures potentiellement l'eau chaude sous pression. Assurer la décharge a une place à l'écoulement. Contact avec votre corps ou des autres biens peuvent causer des dommages ou un préjudice.

Veillez noter que seulement le PRV dans ce paquet est certifié par la CSA International comme un élément approuvé.

## Tuyauterie recommandée pour installation de base



Légende		Ceci n'est pas un schéma technique, son but n'est que de vous guider, et il ne tient pas lieu de dessin industriel professionnel pour un projet. Ce schéma n'a pas l'ambition de décrire un système au complet. C'est la responsabilité du concepteur ou de l'ingénieur de déterminer les composants nécessaires et la configuration pour le système spécifique à installer. Ce schéma n'implique aucune conformité avec les exigences des normes de construction locales. C'est la responsabilité du concepteur ou de l'ingénieur de s'assurer que l'installation sera en conformité avec toutes les normes locales de construction applicables. Consultez les autorités compétentes dans ce domaine avant l'installation.	
	Vanne à tournant sphérique 3/4 po (19 mm)		
	Raccord union 3/4 po (19 mm)		Pompe de circulation
	Clapet anti-retour		Vanne de purge de chaudière
	Soupape de décharge		Électrovanne



## Se connecter chauffe-eau à l'approvisionnement en eau

Les connexions de l'eau pour le chauffe-eau devraient suivre tous états et codes de plomberie local.

S'il s'agit d'une installation standard, consultez le diagramme de tuyauterie pour Installation de base.

1. Sonder l'approvisionnement en eau pour le chauffe-eau sur la connexion de MNPT 3/4 "au bas de l'unité marqué « Prise d'eau », qui est l'approvisionnement en eau froide.
2. Aplomb l'approvisionnement en eau chaude building à la connexion de MSPT 3/4 "marqué « Sortie de l'eau », qui est l'approvisionnement en eau chaude.

Si une reprise des pipe sera installée, faire assurer conduites d'eau pour le chauffe-eau à s'adapter.

## Liste de vérification pour tuyauterie

- La ligne d'eau tous les débris et l'air de la purge en fermant la vanne d'isolement chaud et en ouverture de la vanne d'isolement froid et ses drain. **Débris endommagera le chauffe-eau.** Utiliser un seau ou tuyau si nécessaire.
- S'assurer que les canalisations d'eau chaudes et froides ne sont pas traversées à l'unité et sont libre de fuite.
- Veiller à ce qu'une soupape est installée avec une cote qui dépasse l'entrée de BTU du modèle de chauffage de l'eau. Se référer à la plaque de cotation sur le côté de la chauffe eau pour l'entrée de BTU.
- Nettoyez le filtre à eau inlet en fermant les soupapes d'isolement (fermeture) entrée froide et d'eau chaude. Mettre un seau sous le filtre au bas du chauffe-eau à attraper toute l'eau qui est contenue à l'intérieur de l'unité. Dévissez le filtre à eau. Rincer le filtre à supprimer tous les débris. Installez le filtre et ouvrir les vannes d'isolement.
- Vérifiez la pression appropriée de l'eau pour le chauffage de l'eau. Pression d'eau minimum est de 50 psi. Rinnai recommande de 60-80 psi pour des performances optimales.

## Installation de la fourniture de gaz

### AVERTISSEMENT

1. Si vous n'êtes pas bien informés ou qualifié pour installer les conduites de gaz ou de connexions, puis contacter un technicien qualifié pour installer l'approvisionnement en gaz.
2. Coupez les 120 v alimentation.
3. Coupez le gaz.
4. Le gaz est inflammable. Ne pas fumer ou fournir d'autres sources d'ignition tout en travaillant avec des gaz.
5. Tourner pas sur le chauffe-eau ou gaz jusqu'à ce que tous les vapeurs ont disparu.

### Instructions générales

#### DOIT FAIRE

- Une vanne manuelle de coupure de gaz doit être placée sur la conduite d'alimentation en gaz en amont du chauffe-eau. Un raccord union peut être utilisé sur la connexion au-dessus de la vanne de coupure pour pouvoir ultérieurement intervenir sur l'unité en la déconnectant.
- Vérifiez le type de gaz d'arrivée et sa pression avant de raccorder le chauffe-eau. Si l'appareil a besoin d'un gaz qui n'est pas celui disponible localement, NE branchez PAS le chauffe-eau. Contactez votre revendeur pour obtenir le bon modèle correspondant à votre type de gaz.
- Vérifiez la pression du gaz d'alimentation immédiatement en amont à l'arrivée de la régie fournissant le gaz. La pression d'arrivée du gaz doit être dans la fourchette de limites montrée dans la section de spécifications.
- Avant de mettre l'appareil en service, tous les joints, y compris sur le chauffe-eau, doivent avoir leur étanchéité vérifiée, au moyen d'une solution de détection de fuites à l'eau savonneuse, ou une solution ininflammable équivalente éventuellement (comme certaines solutions pour détection de fuites de gaz, incluant l'eau savonneuse, peuvent causer corrosion ou fissuration par contrainte, la tuyauterie doit être rincée avec de l'eau après le test, sauf si vous avez pu déterminer que la solution de détection utilisée n'était pas corrosive).
- Utilisez toujours des connecteurs approuvés pour raccorder l'unité sur la conduite de gaz. Purgez toujours la conduite de gaz de tous débris éventuels avant son branchement sur le chauffe-eau;

- Tout composé utilisé sur la jonction fileté du tuyau de gaz doit être d'un type qui résiste à l'action du gaz propane ou naturel.
- La conduite d'alimentation en gaz doit être étanche au gaz, du bon calibre et installée d'une façon permettant de fournir assez de gaz pour satisfaire la demande maximale du chauffe-eau et de tous les autres appareils fonctionnant au gaz du lieu sans qu'il y ait de chute de pression.

### **L'INFORMATION**

- Reportez-vous à un tableau de calibrage approuvé de tuyauterie de gaz si vous avez un doute sur la taille de votre conduite.

### Taille du tuyau de gaz

$$\text{pieds cubes par heure (CFH)} = \frac{\text{Entrée de gaz de tous les produits de gaz (BTU / HR)}}{\text{HeValeur calorifique du gaz (BTU / pi}^3\text{)}}$$

L'approvisionnement en gaz doit être capable de gérer la charge entière gaz à l'emplacement. Dimensionnement de ligne de gaz est basé sur le type de gaz, la pression de tomber dans le système, la pression du gaz fourni et type de ligne à gaz. Pour le dimensionnement de pipe gaz aux États-Unis, se référer au Code National de gaz combustible, NFPA 54. Pour le dimensionnement de tuyau de gaz au Canada, se référer au gaz naturel et Code d'Installation de Propane peut / CSA B149.1. Les informations ci-dessous est fournie à titre d'exemple. Le tableau approprié à partir du code applicable doit être utilisé.

1. Pour certains tableaux, vous devrez déterminer les pieds cubes à l'heure du gaz en divisant le gaz d'entrée par le pouvoir calorifique du gaz (disponible sur le site de la compagnie de gaz locaux). Le gaz d'entrée doit inclure tous les produits de gaz à l'emplacement et l'utilisation de BTU maximum à pleine charge lorsque tous les produits de gaz sont utilisés.
2. Utilisez la table pour votre type de gaz et le type de tuyaux pour trouver la taille du tuyau requise. Taille du tuyau doit être en mesure de fournir le nécessaire pieds cubes par heure de gaz ou le besoin de BTU/heure.

Exemple: Le pouvoir calorifique du gaz naturel pour votre emplacement est 1 000 BTU/pi<sup>3</sup>. L'entrée de gaz de la RL94 est 199 000 BTU/HR. Appareils supplémentaires à l'emplacement exigent de 65 000 BTU/hr. Par conséquent, les pieds cubes par heure = (199 000 + 65 000) / 1000 = 264 pi<sup>3</sup>/H. Si la longueur de la conduite est de 10 pieds puis taille du tuyau de 3/4 de pouce est capable de fournir 264 pi<sup>3</sup>/H de gaz naturel.

<b>Table - gaz naturel</b>				
Tuyau métallique annexe 40				
La pression Inlet : moins de 2 psi (55 pouces W.C.)				
Chute de pression : 0,3 pouces W.C.				
Densité : 0.60				
pieds cubes par heure				

Longueur	Taille de pipe (pouces)			
	3/4	1	1 1/4	1 1/2
10	273	514	1060	1580
20	188	353	726	1090
30	151	284	583	873
40	129	243	499	747
50	114	215	442	662
60	104	195	400	600
70	95	179	368	552
80	89	167	343	514
90	83	157	322	482
100	79	148	304	455

<b>Table - gaz propane</b>				
Tuyau métallique annexe 40				
Inlet pression : 11.0 pouces W.C.				
Chute de pression : 0.5 pouces W.C.				
Densité : 1.50				
Capacité en milliers de BTU par heure				

Longueur	Taille de pipe (pouces)			
	1/2	3/4	1	1 1/4
10	291	608	1150	2350
20	200	418	787	1620
30	160	336	632	1300
40	137	287	541	1110
50	122	255	480	985
60	110	231	434	892
80	101	212	400	821
100	94	197	372	763

## Reliez l'électricité

### **AVERTISSEMENT**

N'utilisez pas une rallonge ou un adaptateur brancher avec cet appareil.

Le chauffage de l'eau doit être électriquement fondée conformément aux ordonnances et codes locaux ou, en l'absence de codes locaux, en conformité avec le Code électrique de la Nation, ANSI/NFPA no 70 ou le Code électrique canadien, CSA C22.1.

Modèles d'intérieur est équipé d'un bouchon de trois volets (échouement) pour votre protection contre les chocs et devrait être branché directement dans un récipient de trois volets bien rodé. Ne pas réduire ou supprimer l'échouement terminal de ce plug.

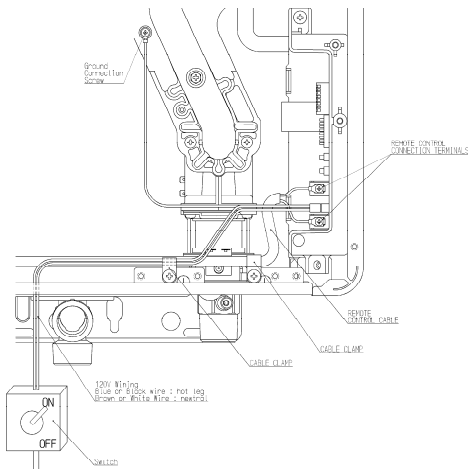
Ne comptez pas sur le gaz ou les canalisations d'eau pour fonder le chauffe-eau. Une vis est fournie dans la boîte de raccordement pour la connexion de l'échouage

Le chauffe-eau exige 120 Vca, 60 Hz puissance d'un circuit bien rodé.

f à l'aide de la 5 pieds de long cordon d'alimentation, plug dans un standard 3 prong 120 Vca, 60 Hz correctement fondée sur une prise murale.

Sur les modèles de plein air, un sectionneur doit être fourni et installé pour les 120 entrants pouvoir ACC. Il devrait être un type qui est convenable pour l'extérieur. Vérifiez le Code National de l'électricité, ANSI/NFPA 70 et vos codes locaux pour un type de commutateur appropriée à utiliser dans votre région.

Le diagramme de câblage est situé sur la fiche technique attaché à l'intérieur de la page couverture.



## Ajustez à l'haute altitude

Définissez les valeurs indiquées dans le tableau ci-dessous pour votre altitude commutateurs 2 et 3 (SW1, commutateurs fauve). Le paramètre par défaut pour l'apppliance est 0-2000 ft (0-610 m) avec les commutateurs no 2 et 3 dans la position OFF.

Lorsque le commutateur DIP est ajusté, il n'est pas nécessaire de régler le paramètre de pression de gaz à haute altitude.

Altitude	SW1 No. 2	SW1 No. 3
0-2000 ft (0-610 m)	d'arrêt	d'arrêt
2001-5200 ft (610-1585 m)	d'arrêt	marche
5201-7700 ft (1585-2347 m)	marche	d'arrêt
7701-10200 ft (2347-3109 m)	marche	marche

### Ajuster pour longueur de ventilation (modèles d'intérieur)

Ajuster le commutateur no 1 du commutateur SW1 DIP (commutateurs fauve) si nécessaire. Reportez-vous à la section « Longueur maximum de ventilation ».

### Liste de vérification pour gaz et électricité

- Une vanne manuelle de gaz est placée dans la ligne de gaz pour le chauffage de l'eau.
- Vérifiez les conduites de gaz et les connexions des fuites.
- Confirmer que la pression du gaz inlet est dans les limites.
- Confirmer que le chauffe-eau est coté pour le type de gaz fourni.
- Confirmer que l'électricité est fournie de 120 Vca, source d'énergie de 60 Hz et qu'il est dans un circuit bien rodé.
- Une rallonge ou un adaptateur Plug-and-n'a pas été utilisé avec le chauffe-eau.
- (Modèles d'intérieur) Vérifier que le commutateur no 1 du commutateur DIP SW1 (commutateurs fauve) a été ajusté pour cloaque si nécessaire. Reportez-vous à la section sur la longueur maximale de Vent.

## Installation de le contrôleur de température

### **AVERTISSEMENT**

Désactiver le pouvoir. Ne pas tenter de connecter les contrôleurs de température avec le pouvoir. Bien que le contrôleur est un dispositif de basse tension, il y a 120 volts potentiels à côté les connexions de contrôleur de température à l'intérieur de l'unité.

Ne se connectent pas le contrôleur de température aux bornes 120VAC fournis pour les électrovannes de drain facultatif.

Modèles de l'intérieurs ont leur contrôleur intégré dans le panneau avant. Les contrôleurs supplémentaires peuvent être installés.

### Endroit de contrôleurs

- Le contrôleur doit être hors de portée des enfants en bas âge
- Évitez les endroits où le contrôleur peut devenir chaud (près du four ou de l'appareil de chauffage radiant).
- Évitez les endroits dans la lumière directe du soleil. L'affichage numérique peut être difficile à lire dans la lumière directe du soleil.
- Évitez les endroits où le contrôleur de température pourrait être éclaboussé avec des liquides.

### La longueur de câble et tailles

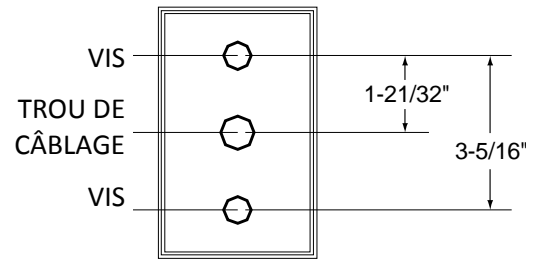
Le câble pour le contrôleur de température devrait être un câble de deux cœurs non polarisée avec une jauge minimum de 22 AWG. La longueur maximale de câble de chaque contrôleur pour le chauffage de l'eau dépend le nombre total de contrôleurs filaires connecté à l'appareil de chauffage de l'eau.

Nombre de contrôleurs	Longueur de câble maximale pour chaque contrôleur de chauffe-eau
1	328 ft (100 m)
2	164 ft (50 m)
3 or 4*	65 ft (20 m)

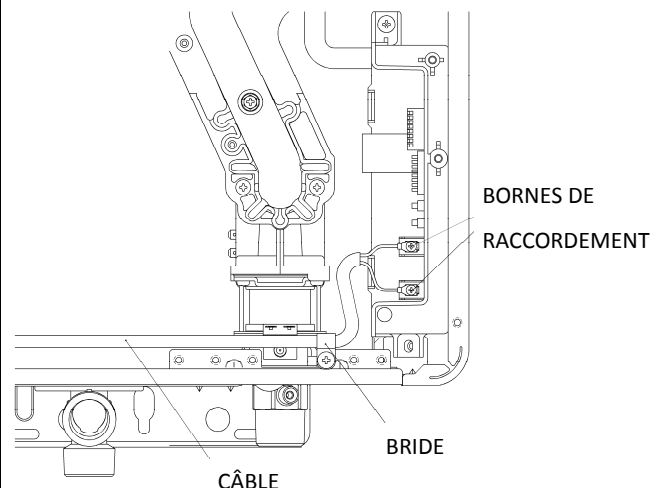
\* Seulement 3 contrôleurs supplémentaires peuvent être branchés à l'intérieur chauffe-eau.

## Montage du contrôleur

1. Faire trois trous dans le mur, comme le montre.



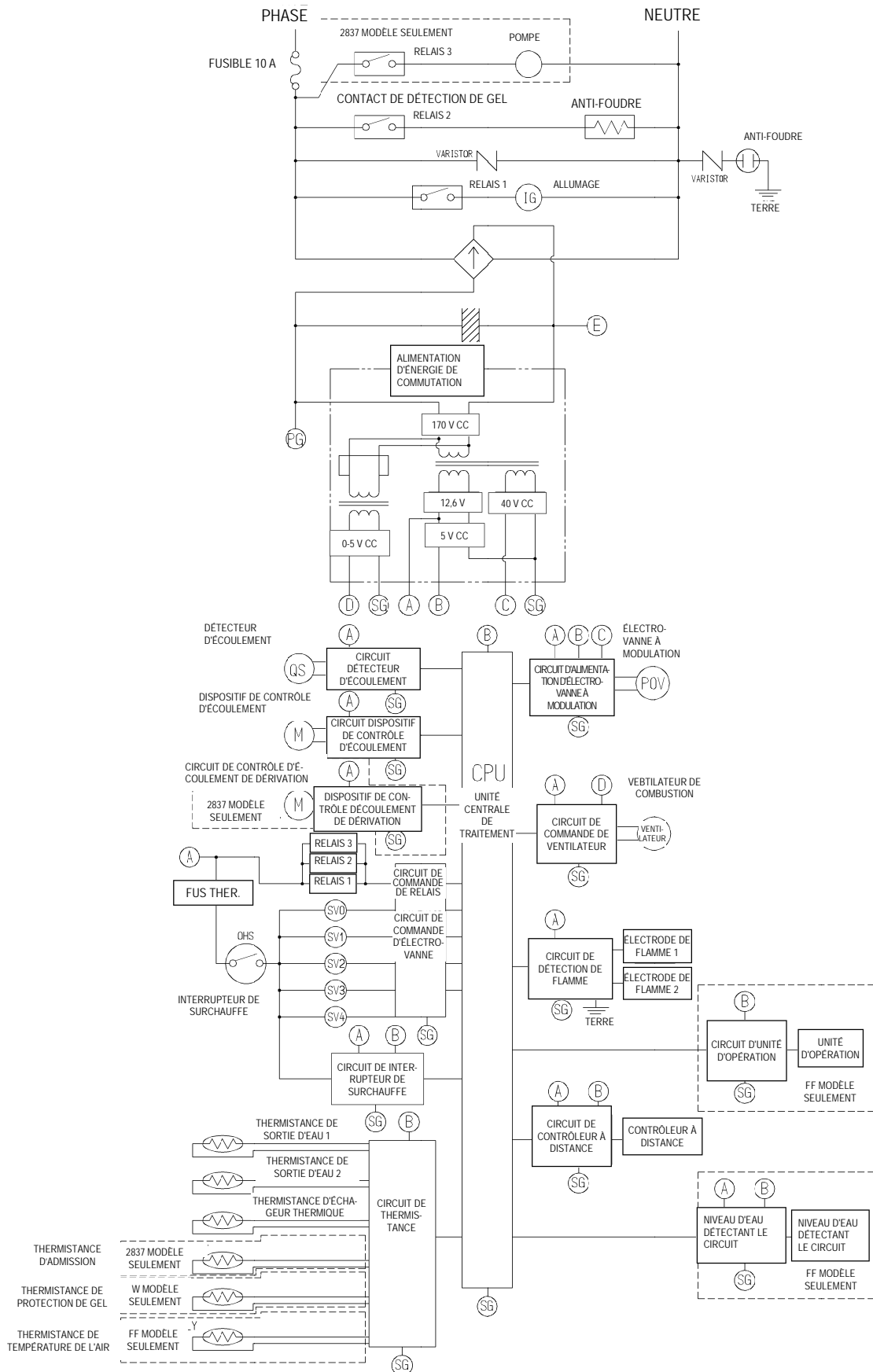
2. Exécutez le câble entre le contrôleur et le chauffe-eau ou le contrôleur et un autre contrôleur
3. Enlever la plaque du contrôleur de température à l'aide d'un tournevis.
4. Branchez le câble pour le contrôleur de température.
5. Monter le contrôleur à la paroi en utilisant les trous percés à l'étape 1.
6. Coupez l'alimentation de l'appareil de chauffage de l'eau.
7. Retirer le couvercle en plastique du PCB et connexions électriques.
8. Le câble dans le trou de l'accès à la base de l'unité de thread et se connecter les fils pour les terminaux de contrôleur sur le bas côté de main droite de BPC
9. Sécuriser le câble de contrôleur à l'aide de la pince fournie.
10. Remplacer la couverture en plastique sur le PCB et remplacer la couverture du chauffe-eau.



## Liste de vérification finale

- Le chauffage de l'eau n'est pas corrosifs composés dans l'air.
- L'approvisionnement en eau ne contient pas de produits chimiques ou dépasse la dureté totale qui nuira à l'échangeur de chaleur.
- Autorisations de l'unité de chauffage de l'eau sont remplies.
- Autorisations de la cessation de l'évent / apport d'air sont remplies.
- (Modèles d'intérieur) S'assurer que vous avez utilisé les produits de ventilation correctes pour le modèle installé et que vous avez complètement suivi les instructions d'installation du fabricant de ventilation et ces instructions d'installation.
- (Modèles d'intérieur) Vérifiez que le système d'évacuation ne dépasse pas la longueur maximale pour le nombre de coudes utilisé.
- (Modèles d'intérieur) Vérifier que le commutateur no 1 du commutateur DIP SW1 (commutateurs fauve) a été ajusté pour cloaque si nécessaire. Reportez-vous à la section sur la longueur maximale de Vent.
- (Modèles d'intérieur) Vérifiez que le tuyau de ventilation a une pente descendante ou un grade à l'extérieur du 1/4 pouce par pied (1.2° ) OR si le tuyau de ventilation est incliné vers le chauffe-eau (comme certains codes locaux exigent), qu'un collecteur de condensat est installé pour permettre la condensation de drainer loin du chauffe-eau à une source de drain approprié.
- (Modèles d'intérieur) Vérifiez que condensat ne peut s'écouler vers le chauffe-eau.
- La ligne d'eau tous les débris et l'air de la purge en fermant la vanne d'isolement chaud et en ouverture de la vanne d'isolement froid et ses drain. **Débris endommagera le chauffe-eau.** Utiliser un seau ou tuyau si nécessaire.
- S'assurer que les canalisations d'eau chaudes et froides ne sont pas traversées à l'unité et sont libre de fuite.
- Nettoyez le filtre à eau inlet en fermant les soupapes d'isolement (fermeture) entrée froide et d'eau chaude. Mettre un seau sous le filtre au bas du chauffe-eau à attraper toute l'eau qui est contenue à l'intérieur de l'unité. Dévissez le filtre à eau. Rincer le filtre à supprimer tous les débris. Installez le filtre et ouvrir les vannes d'isolement.
- Une vanne manuelle de gaz a été placée dans la ligne de gaz pour le chauffage de l'eau.
- Veiller à ce qu'une soupape est installée avec une cote qui dépasse l'entrée de BTU du modèle de chauffage de l'eau. Se référer à la plaque de cotation sur le côté de la chauffe eau pour l'entrée de BTU.
- Vérifiez les conduites de gaz et les connexions des fuites.
- Confirmer que la pression du gaz inlet est dans les limites.
- Confirmer que le chauffe-eau est coté pour le type de gaz fourni.
- Confirmer que l'électricité est fournie d'un acc 120, source d'énergie de 60 Hz, est dans un circuit bien rodé et allumé.
- Vérifier que le contrôleur de température fonctionne correctement.
- Vérifiez que les commutateurs no 2 et 3 du commutateur commutateur DIP SW1 (commutateurs fauve) est défini correctement pour votre altitude.
- Vérifier que le système fonctionne correctement en vous connectant à votre manomètre vers le port de test de pression gaz sur le chauffe-eau. Exploiter tous les appareils à gaz dans la maison ou l'installation à feu élevé. La pression du gaz inlet à l'appareil de chauffage de l'eau ne doit pas descendre au-dessous de celle figurant sur la plaque de cotation.
- Si le chauffage de l'eau n'est pas nécessaire pour une utilisation immédiate, puis drainez l'eau provenant de l'échangeur de chaleur.
- Installez le panneau avant.
- Expliquer au client l'importance de blocage ne pas l'apport de cessation d'emploi ou de l'air de ventilation.
- Expliquer au client le fonctionnement du chauffe-eau, les directives de sécurité, maintenance et garantie.
- L'installation doit être en conformité avec les normes locales, et en leur absence avec la *norme américaine sur le gaz combustible, ANSI Z223.1/NFPA 54, ou la norme canadienne sur les installations au gaz naturel et propane, CSA B149.1.* Cet appareil doit être installé selon la Manufactured Home Construction and Safety Standard, Title 24 CFR, Part 3280 ou la norme CAN/CSA -Z240 MM M86, Maisons mobiles.
- Informer le consommateur si les vannes d'isolement ne sont pas installés ou si un système d'adoucissement de l'eau n'est pas installés.
- **Quitter l'ensemble du Manuel de ruban pour le chauffe-eau ou donner le Manuel directement au consommateur.**

# Diagramme en escalier



# Rinnai®

## Chauffe-eau d'intérieur sans réservoir à ventilation directe

### Instructions d'utilisation

#### POUR LES APPLICATIONS INTÉRIEURES SEULEMENT

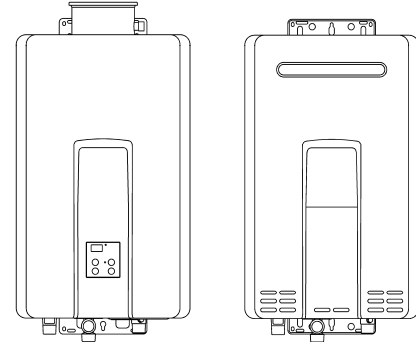
**RL75i** .....REU-VC2528FFUD-US

**RL94i** .....REU-VC2837FFUD-US

#### POUR LES APPLICATIONS EXTÉRIEUR SEULEMENT

**RL75e** .....REU-VC2528WD-US

**RL94e** .....REU-VC2837WD-US



### Faits importants sur votre chauffe-eau

Je vous remercie pour l'achat d'un chauffe-eau sans réservoir Rinnai. Pour le bon fonctionnement et la sécurité, il est important de suivre les instructions et de respecter les mesures de sécurité.

Toutes les instructions et la garantie lire attentivement avant d'exploitation cette chauffe-eau. Gardez ce manuel en lieu sûr.

AVIS: Rinnai partage parfois des informations de contact client avec des entreprises que nous croyons offrent des produits ou des services qui peuvent vous être utiles. En fournissant ces renseignements, vous acceptez que nous pouvons partager vos coordonnées à cette fin. Si vous préférez ne pas avoir vos informations partagées avec ces entreprises, veuillez contacter le service clientèle et demandez ne pas d'avoir votre information partagée. Nous allons cependant continuer à vous contacter avec les informations pertinentes pour le produit vous inscrit ou vous rendre compte avec nous.



#### AVERTISSEMENT

**Assurez-vous de bien suivre les instructions données dans cette notice pour réduire au minimum le risque d'incendie ou d'explosion ou pour éviter tout dommage matériel, toute blessure ou la mort.**

- **Ne pas entreposer ni utiliser d'essence ou ni d'autres vapeurs ou liquides inflammables à proximité de cet appareil ou de tout autre appareil.**
- **QUE FAIRE SI VOUS SENTEZ UNE ODEUR DE GAZ**
  - Laissez les lieux.
  - Ne pas tenter d'allumer d'appareil.
  - Ne touchez à aucun interrupteur ; ne pas vous servir des téléphones se trouvant dans le bâtiment.
  - Appelez immédiatement votre fournisseur de gaz depuis un voisin. Suivez les instructions du fournisseur.
  - Si vous ne pouvez rejoindre le fournisseur, appelez le service des incendies.
- **L'installation et l'entretien doivent être assurés par un installateur ou un service d'entretien qualifié ou par le fournisseur de gaz.**

# Directives d'opérations du consommateur pour le fonctionnement sécuritaire de votre chauffe-eau

À LIRE AVANT LA MISE EN SERVICE POUR VOTRE SÉCURITÉ



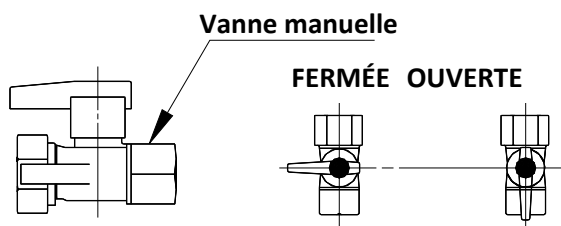
## AVERTISSEMENT

Si vous ne suivez pas exactement ces instructions, il peut en résulter un départ d'incendie ou une explosion, causant dégâts matériels, blessures corporelles ou même mort.

- A. Cet appareil ne comporte pas de veilleuse. Il est muni d'un dispositif d'allumage qui allume automatiquement le brûleur. Ne tentez pas d'allumer la veilleuse manuellement.
- B. AVANT DE FAIRE FONCTIONNER, reniflez tout autour de l'appareil pour déceler une odeur de gaz. Reniflez près du plancher, car certains gaz sont plus lourds que l'air et peuvent s'accumuler au niveau du sol.
- QUE FAIRE SI VOUS SENTEZ UNE ODEUR DE GAZ :
- Ne pas tenter d'allumer d'appareil.
  - Ne touchez à aucun interrupteur ; ne pas vous servir des téléphones se trouvant dans le bâtiment.
  - Appelez immédiatement votre fournisseur de gaz depuis un voisin. Suivez les instructions du fournisseur.
- C. Ne poussez ou tournez la manette d'admission du gaz qu'à la main ; ne jamais utiliser d'outil. Si la manette reste coincée, ne pas tenter de la réparer ; appelez un technicien qualifié. Le fait de forcer la manette ou de la réparer peut déclencher une explosion ou un incendie.
- D. N'utilisez pas cet appareil s'il a été plongé dans l'eau, même partiellement. Faites inspecter l'appareil par un technicien qualifié et remplacez toute partie du système de contrôle et toute commande qui ont été plongés dans l'eau.
- Si vous ne pouvez rejoindre le fournisseur, appelez le service des incendies.

## INSTRUCTIONS DE MISE EN MARCHÉ

1. ARRÊTEZ ! Lisez les instructions de sécurité sur la portion supérieure (à gauche) de cette étiquette.
2. Réglez le thermostat sur la consigne la plus basse.
3. Coupez l'alimentation électrique de l'appareil en utilisant son bouton M/A.
4. L'appareil est équipé d'un dispositif d'allumage qui allume automatiquement le brûleur. Ne tentez pas d'allumer la veilleuse manuellement.
5. Repérez la vanne de gaz manuelle sur le côté du chauffe-eau. Fermez-la en la tournant à fond dans le sens horaire (position OFF).
6. Attendez cinq (5) minutes pour laisser échapper tout le gaz. Reniflez tout autour de l'appareil, y compris près du plancher, pour déceler une odeur de gaz. Si vous sentez une odeur de gaz, ARRÊTEZ ! Passez à l'étape B des instructions de sécurité sur la portion supérieure (à gauche) de cette étiquette. S'il n'y a pas d'odeur de gaz, passez à l'étape suivante.
7. Ouvrez l'arrivée de gaz en tournant la vanne manuelle de gaz en sens antihoraire (position ON).
8. Rétablissez l'alimentation électrique de l'appareil avec son bouton M/A.
9. Passez le thermostat sur le réglage de consigne souhaité.
10. Ouvrez un robinet d'eau chaude du circuit. Si l'appareil ne démarre pas, suivez les instructions ci-dessous relatives à la coupure du gaz vers l'appareil et appelez un technicien de service ou votre fournisseur de gaz. Reportez-vous au manuel pour plus d'informations.



## COMMENT COUPER L'ADMISSION DE GAZ DE L'APPAREIL

1. Coupez l'alimentation électrique de l'appareil en utilisant son bouton M/A.
2. Réglez le thermostat sur la consigne la plus basse.
3. Repérez la vanne de gaz manuelle sur le côté du chauffe-eau. Fermez-la en la tournant à fond dans le sens horaire (position OFF).



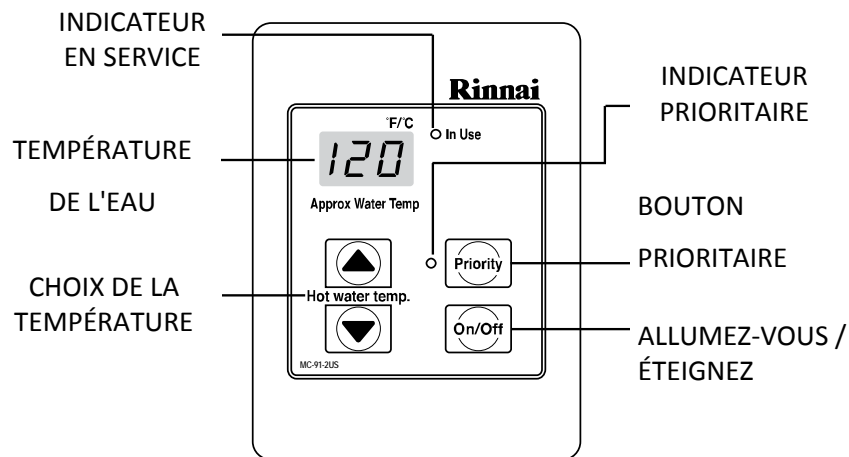
## Comment utiliser le contrôleur de température

Dimensions (pouces): 3.5 W x 4.75 H x 0.75 D

Le contrôleur de MC-91-2 est le contrôleur de température standard qui est fourni avec l'appareil de chauffage de l'eau. Sur les modèles de l'intérieurs, elle est intégrée dans le panneau avant.

Le contrôleur de MCC-91-2 est pour des applications commerciales et hydroniques nécessitant des températures plus élevées. Lorsque le contrôleur de MCC-91-2 est connecté, ces températures plus élevées sont disponibles sur tous les modèles de contrôleur dans le système. Reportez-vous à la section sur les plages de température.

Exploiter le chauffe-eau pas à plusieurs reprises et utilisez un robinet d'eau chaude tandis que le contrôleur est désactivé. Le chauffe-eau de cette façon de produire alternativement l'eau chaude de fonctionnement peut causer l'eau de condenser à l'extérieur des pièces internes et s'accumulent dans le chauffe-eau du cabinet.



### Mise du contrôleur en sourdine

Le MC-91-2 pour éliminer les bips lorsque les touches ou de transformer les signaux sonores arrière sur, la presse et de tenir les deux la place et boutons jusqu'à ce qu'un bip est entendu (environ 5 secondes).

### Verrouillage du contrôleur

Le contrôleur de MC-91-2 peut être verrouillé en pressant le bouton de la priorité et le bouton haut ensemble pendant 5 secondes. Un bip retentira confirmant que le contrôleur est verrouillé. L'affichage montrera alternativement « LOC », le réglage de la température et un code de diagnostic si on a été activé. Tous les contrôleurs du système sont également verrouillés.

Pour déverrouiller le contrôleur appuyez le bouton de la priorité et le bouton haut ensemble pendant 5 secondes.

### Options de température sans contrôleur à distance

Le réglage de température de consigne par défaut pour cet appareil sans un contrôleur à distance est de 120° F (49 ° C). On peut, si on le souhaite, la passer sur 140° F (60 ° C) en modifiant la position d'un seul micro-commutateur DIP.

À la commutateur DIP SW1 (commutateurs fauve) à positions multiples, le micro-commutateur 5 donne un réglage à 120°F (49 ° C) s'il est sur OFF (valeur automatique) mais à 140°F (60 ° C) s'il est sur ON.

Si un contrôleur de température est installé, alors le contact 5 n'a aucun effet sur des arrangements de température.

## Comment définir la température

Cette chauffe eau nécessite un débit minimum à exploiter. Ce taux se trouvent sur la page de spécification dans ce manuel. Dans certains cas lorsque vous n'obtenez pas l'eau chaude ou si l'eau alterne entre le chaud et le froid, c'est en raison du débit de l'eau étant ci-dessous ou à proximité du débit minimum. Accroître le débit devrait résoudre ces problèmes dans ces cas.

Si vous rencontrez des problèmes avec les réglages de température plus élevées, puis réduire le réglage de la température. Sélection d'une température plus proche à celle qui est utilisée au niveau du robinet augmentera la quantité d'eau chaude dans le robinet, en raison de moins d'eau froide mélanger à l'appareil.

! DANGER

L'eau chaude peut être dangereuse, en particulier pour les enfants, les personnes âgées et les infirmes. Il y a un risque d'échaudage si la consigne du thermostat est réglée trop haut.


Des températures dépassant 125° F (52 °C) peuvent causer de sévères brûlures ou un échaudage, pouvant entraîner la mort.

L'eau chaude peut causer des brûlures au premier degré suite à des expositions aussi limitées que :

- 3 secondes à 140° F (60 °C)
- 20 secondes à 130° F (54 °C)
- 8 minutes à 120° F (49 °C)

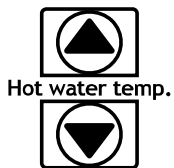
Testez la température de l'eau avant de placer un enfant sous la douche ou dans le bain.

Ne laissez pas un enfant ou une personne infirme dans une baignoire sans surveillance.





1. Si le chauffe-eau est désactivée, appuyez sur le bouton d'alimentation pour activer la.
2. Si la lumière de priorité est désactivée, appuyez sur le bouton de priorité du contrôleur à distance. Le voyant vert de priorité va s'allumer pour montrer que c'est ce contrôleur qui règle la température de consigne et que le chauffe-eau est prêt à fournir de l'eau chaude. La présence d'un contrôleur sur les autres ne peut se modifier que s'il n'y a pas d'eau chaude qui coule.



3. Appuyer sur les boutons pour obtenir la valeur de température de consigne voulue. L'eau chaude est fournie à tous les points de distribution à cette température sauf un changement désiré au point d'origine ou à n'importe quelle commande.

AVIS	La température peut être ajustée entre 98° F (37 °C) et 110° F (43 °C) même en cas de tirage d'eau.
------	---

AVIS	Vérifiez vos normes locales concernant la température maximale de l'eau permise pour une utilisation dans maisons de soins, écoles, garderies, et pour toutes les autres applications publiques.
------	--

AVIS	Si une unité nouvellement installée avec un contrôleur à distance n'a pas été activée pendant au moins 6 heures, alors sa température de consigne reviendra à la valeur par défaut de 104° F (40 °C) s'il y a une interruption du secteur.
------	--

AVIS	Il peut y avoir une différence entre la température de consigne affichée sur le contrôleur à distance et la température réelle au robinet, du fait des conditions d'environnement, ou de la longueur de tuyauterie depuis le chauffe-eau.
------	---

## Plages de température avec un contrôleur de température

Le chauffe-eau peut fournir l'eau à un seul réglage de la température à la fois. Les températures disponibles sont fournis ci-dessous. Une température inférieure à 98° F (37 ° C) peut être obtenue dans l'eau du robinet en mélange à l'eau froide. Pour modifier l'échelle de température de Celsius à Fahrenheit ou vice versa, appuyez et tenir le bouton « On/Off » pendant 5 secondes, tandis que le chauffe-eau est désactivée.

Plages de température disponible (Fahrenheit °F)																
RL75i, RL75e	98	100	102	104	106	108	110	115	120	125 *	130 *	135 *	140 *	150 **	160 **	185**
RL94i, RL94e																
Celsius °C	37	38	39	40	41	42	43	46	49	52	54	57	60	66	71	85

**AVERTISSEMENT** Ajuster pas les autres commutateurs sauf si expressément demandé de le faire.

- Les réglages de température de 125-140 °F (52-60 ° C) sont disponibles par paramètre commutateur 6 on dans la DIP SW1 (commutateurs fauve) . Ces modèles ont une température maximale par défaut de 120° F (49° C) et une option (commutateur 6) pour augmenter la température maximale de 140 °F (60 ° C).
- \*\* Ces paramètres requièrent le contrôleur de MCC-91-2. Lorsque le contrôleur de MCC-91 est connecté, ces températures plus élevées sont disponibles sur tous les modèles de contrôleur dans le système. Utilisation d'un contrôleur de MCC-91-2 dans un logement résidentiel réduira la couverture de la garantie à celle d'une demande de garantie commerciale.

Ces températures sont des suggestions seulement :

- Cuisine 120 °F (49° C)
- Douche 98 - 110 °F (37 - 43 °C)
- Suffisance de Bath 102 - 110 °F (39 - 43 °C)

## Arrangements de température alternatifs

Une autre plage de réglages de température est disponible par les commutateurs de paramètre 2 et 3 de l'interrupteur dip SW2 (commutateurs blanc) à ON. Le tableau ci-dessous indique les paramètres disponibles avec le MC-91-2 et le contrôleur MCC-91-2.

**AVERTISSEMENT** Contrôleurs de MC-91-1, MCC-91-1, MC-100V-1 et BC-100V-1 ne sont pas compatibles avec les réglages de température remplaçant. Les paramètres de température remplaçant sont pour des applications commerciales seulement.

N'utilisez pas les contrôleurs de MC-91-1, MCC-91-1, MC-100V-1 ou BC-100V-1 lorsque les commutateurs dip 2 et 3 (blanc commutateurs) sont en position.

Alternatifs - Plages de température disponible (Fahrenheit °F)																
RL75i, RL75e	110	115	120	125	130	135	140	145	150	155	160					
RL94i, RL94e																
Celsius °C	43	46	49	52	54	57	60	63	66	68	71	74	77	79	82	85

MC-91-2

MCC-91-2

# Entretien requis

L'appareil doit être inspecté chaque année par un technicien qualifié. Réparations et entretien doivent être effectués par un technicien qualifié. Le technicien de service doit vérifier le bon fonctionnement après entretien.

## AVERTISSEMENT

Pour vous protéger contre les préjudices, avant d'effectuer la maintenance :

- Coupez l'alimentation électrique en débranchant le cordon d'alimentation ou en désactivant l'électricité au disjoncteur. (Le contrôleur de température ne contrôle pas la puissance électrique).
- Coupez le gaz à la soupape de gaz manuelle, généralement situé immédiatement sous le chauffe-eau.
- Coupez l'alimentation en eau entrante. Cela peut se faire à la vanne d'isolement immédiatement au-dessous du chauffe-eau.

## AVERTISSEMENT

Garder la zone appliance claire et exempte de matières combustibles, l'essence et autres vapeurs inflammables et des liquides.

## AVERTISSEMENT

Test de la soupape ne doit être effectuée par un technicien qualifié. L'eau chaude à ébouillanter peut-être être libéré sous pression.

**Les articles suivants de la maintenance sont nécessaires au bon fonctionnement de votre chauffe-eau.**

### Nettoyage

Il est impératif de contrôler compartiments, brûleurs et passages pour la circulation de l'air sur l'appareil à nettoyer.

Procédez au nettoyage comme ceci :

1. Coupez et débranchez l'alimentation électrique. Laissez refroidir le chauffe-eau.
2. Fermez l'eau fermer les robinets. Démontez et nettoyez le filtre d'arrivée d'eau.
3. Démontez le panneau frontal en enlevant ses 4 vis.
4. Utilisez de l'air comprimé pour dépoussiérer brûleur principal, échangeur thermique et pales de ventilateur. N'utilisez pas de chiffon mouillé ou de nettoyeurs à pulvériser sur le brûleur. N'utilisez pas de substances volatiles comme benzène ou diluants. Ils pourraient s'enflammer ou décolorer la peinture.
5. Utilisez un chiffon doux sec pour essuyer le boîtier.

### Système de ventilation

Les conduites de prise d'air et d'évacuation doivent être inspectées au moins tous les ans pour y détecter des blocages ou dommages éventuels. S'il y a un blocage contactez un professionnel autorisé.

### Moteurs

Les moteurs sont lubrifiés à vie et ne demandent pas de lubrification périodique. Cependant, vous devez garder fan et moteur libre de la poussière et la saleté par le nettoyage de chaque année.

### Contrôleur à distance

Utilisez un chiffon humide pour nettoyer les contrôleurs à distance. N'employez pas de solvants.

### Accumulation de calcaire et de tartre

Si vous recevez le code d'erreur « LC# », (LC1, LC2,...), reportez-vous à la procédure de *rinçage de l'échangeur thermique*. Voyez aussi la section sur la *qualité de l'eau* pour savoir si votre eau a besoin d'un traitement ou conditionnement en amont. (Lors de la vérification de l'historique des anomalies pour l'entretien, le code « 00 » aura remplacé « LC# ».)

### Accumulation de neige

Maintenez la zone autour de la terminaison de cheminée libre de toute neige et glace. Cet appareil ne peut pas bien fonctionner si ses bouches d'aspiration et d'évacuation d'air sont entravées (blocage total ou même partiel) par des obstacles quelconques.

## Nettoyez le filtre à eau

Nettoyez le filtre à eau inlet en fermant les soupapes d'isolement (fermeture) entrée froide et d'eau chaude. Mettre un seau sous le filtre au bas du chauffe-eau à attraper toute l'eau qui est contenue à l'intérieur de l'unité. Dévissez le filtre à eau. Rincer le filtre à supprimer tous les débris. Installez le filtre et ouvrir les vannes d'isolement.

## Valve de décompression

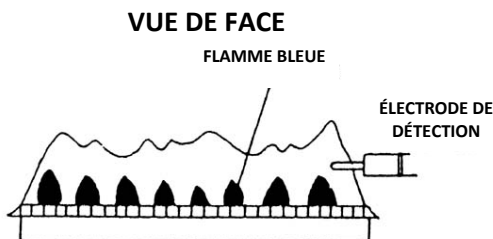
Exploiter la valve manuellement une fois par an. Ce faisant, il sera nécessaire de prendre des précautions avec ce qui a trait à l'exécution de potentiellement ébouillanter eau chaude sous pression. Assurer la décharge a une place à l'écoulement. Contact avec votre corps ou autres biens peuvent causer des dommages ou un préjudice.

## Inspection visuelle de flamme

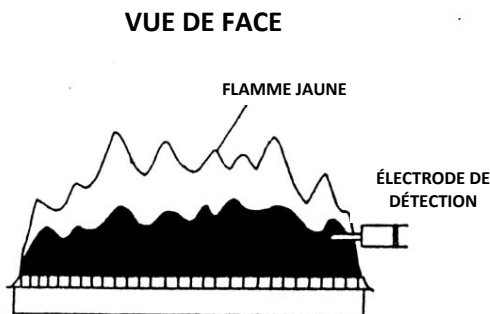
Le brûleur doit être allumé de façon régulière sur toute sa surface quand il fonctionne correctement. La flamme doit être claire, bleutée et stable. Reportez-vous à la décomposition par pièces du brûleur pour l'emplacement des hublots d'inspection.

La configuration de flamme est illustrée ci-dessous :

### CORRECT



### INCORRECT



## Protection de gel

Assurez-vous que dans le cas de congélation météo que le chauffe-eau et ses lignes de l'eau sont adéquatement protégés pour éviter le gel. Dommages causés à la congélation n'est pas couvert par la garantie. Reportez-vous à la section sur la Protection de geler.

## Déstéarisation

Ces recommandations visent à suggérer des pratiques qui sont efficaces pour l'apposition du chauffe-eau. Ils devraient être utilisés comme un guide uniquement. Aucune responsabilité ne suppose pour toute questions découlant de l'utilisation de cette information.

## GAZ

Couper le gaz pour le chauffage de l'eau. Il est généralement préférable de couper le service de gaz à l'emplacement de toute si gaz ne va donc pas être utilisé.

## L'EAU

Couper l'approvisionnement en eau froide pour le chauffage de l'eau. Il est généralement préférable de couper l'eau à l'emplacement de tout, si l'eau ne va donc pas être utilisé.

Vidanger le chauffe-eau en ouvrant les soupapes de vidange sur la ligne d'eau froide et la ligne d'eau chaude.

Open d'eau chaude plusieurs robinets et supprimer l'assembly de filtre à l'entrée de l'eau afin de permettre la salle pour l'expansion dans le cas où il y a l'eau dans les lignes qui gèlent.

## ÉLECTRIQUE

Déconnectez l'alimentation en soit en débranchant le cordon électrique ou en désactivant le disjoncteur du chauffe-eau à prévenir les dommages potentiels de surtensions irréguliers ou d'interruptions.

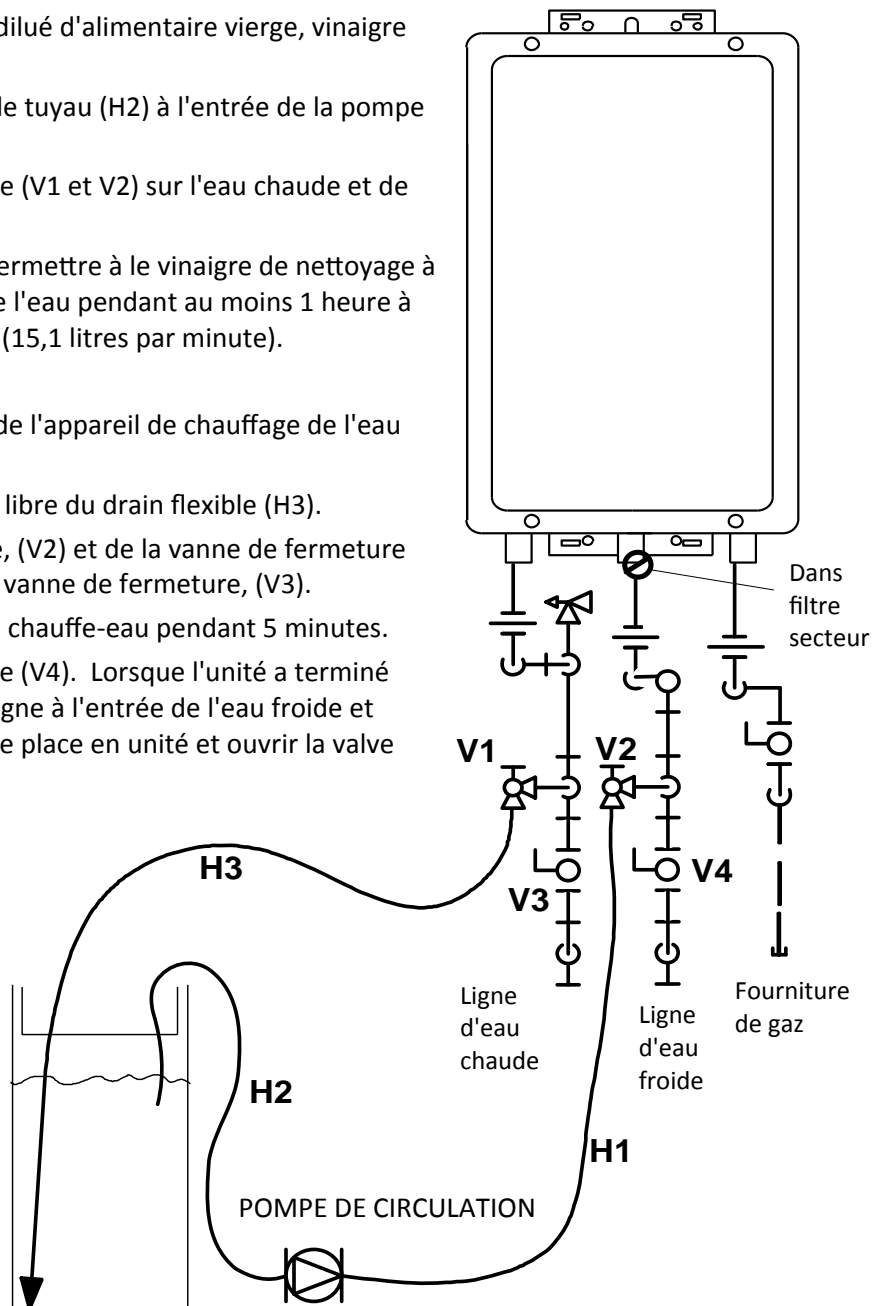
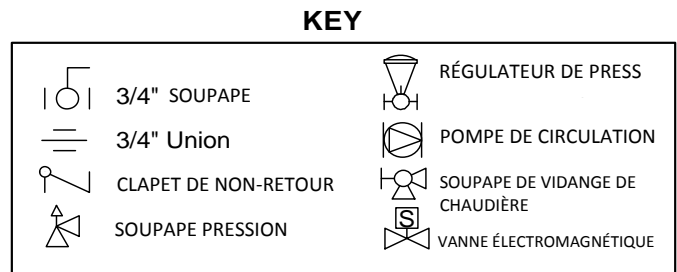
## ARRÊT DE PASSAGE

Placez une couverture sur la cessation du vent (admission et échappement) si on peut y accéder en toute sécurité. La couverture devrait être facile à appliquer et à enlever. Cela empêchera les débris, les feuilles et les petits animaux de pénétrer dans le réchauffeur d'évacuation et de l'eau qui pourrait causer des problèmes de flux d'air à retour au service.

# Flushing l'échangeur de chaleur

Un « LC » ou « 00 » code de diagnostic indique l'unité commence à chaux et doit être vidangée. Échec de vider l'apppliance va causer des dommages à l'échangeur de chaleur. Dommages causés par l'accumulation de chaux ne sont pas couvert par la garantie de l'unité. Rinnai recommande fortement l'installation de vannes d'isolement pour permettre de chasse de l'échangeur de chaleur.

1. Déconnectez l'électricité pour le chauffage de l'eau.
2. Fermer les robinets d'arrêt sur l'eau chaude et les conduites d'eau froides (V3 et V4).
3. Se connecter le tuyau de sortie pompe (H1) à la ligne d'eau froide au robinet de service (V2).
4. Se connecter drain tuyau (H3) à valve de service (V1).
5. Verser 4 gallons de qualité non dilué d'alimentaire vierge, vinaigre blanc dans le seau.
6. Placez le tuyau de drain (H3) et le tuyau (H2) à l'entrée de la pompe dans la solution de nettoyage.
7. Ouvrez les deux valves de service (V1 et V2) sur l'eau chaude et de conduites d'eau froides.
8. Faire fonctionner la pompe et permettre à le vinaigre de nettoyage à circuler à travers le chauffage de l'eau pendant au moins 1 heure à un taux de 4 gallons par minute (15,1 litres par minute).
9. Désactiver la pompe.
10. Rincer le vinaigre de nettoyage de l'appareil de chauffage de l'eau comme suit :
  - a. Retirer le seau de l'extrémité libre du drain flexible (H3).
  - b. Fermez la soupape de service, (V2) et de la vanne de fermeture ouvert, (V4). N'ouvrez pas la vanne de fermeture, (V3).
  - c. Permettre à l'eau s'écouler le chauffe-eau pendant 5 minutes.
  - d. Fermer la vanne de fermeture (V4). Lorsque l'unité a terminé drainant enlever le filtre en ligne à l'entrée de l'eau froide et nettoyer tout résidu. Filtre de place en unité et ouvrir la valve (V4).
  - e. Fermer la vanne de service, (V1) et le clapet d'arrêt ouvert, (V3).
11. Déconnectez tous les tuyaux.
12. Restaurer la puissance électrique de l'appareil de chauffage de l'eau.



Après l'appel de procédure encastre assistance technique (1-800-621-9419) pour les PCB réinitialise information.

## Drainage Manuel du chauffe-eau

**AVERTISSEMENT** Pour éviter de burns, attendre jusqu'à ce que l'équipement se refroidit avant le drainage de l'eau. L'eau de l'apppliance restera chaud après qu'il est éteint.

Si le chauffe-eau ne va être utilisée pendant une période de temps au gel possible, il est recommandé que l'eau à l'intérieur du chauffe-eau être drainé.

Manuellement drainer l'eau :

1. Couper l'approvisionnement en eau froide et d'approvisionnement en gaz.
2. Désactiver le contrôleur de température.
3. Coupez l'alimentation de l'appareil de chauffage de l'eau.
4. Placez un conteneur pour attraper l'eau. Supprimer les capuchons de drain sur les deux vannes d'isolement et ouvrez les deux valves au-dessus des caps (poignées de valve bleu et rouge). -OR-ouvert de l'eau chaude drain plug à la sortie de l'eau chaude.
5. Supprimer le filtre à eau pour drainer l'eau froide.

Pour reprendre un fonctionnement normal :

1. Confirmer que toutes les bouchons de drain de l'eau sont supprimés, que l'approvisionnement en gaz est désactivé, et que tous les robinets sont fermés.
2. Vis dans le filtre à eau dans l'entrée de l'eau froide.
3. Remplacez les capuchons de drain et fermer les deux vannes d'isolement. -OR-vis dans le bouchon de vidange de l'eau chaude.
4. Ouvrez l'approvisionnement en eau froide.
5. Ouvrir un robinet et de confirmer que l'eau s'écoule et puis fermez.
6. Allumez le pouvoir.
7. Après avoir confirmé que le contrôleur de température est, tourner sur l'approvisionnement en gaz.
8. Tourner sur le contrôleur de température.

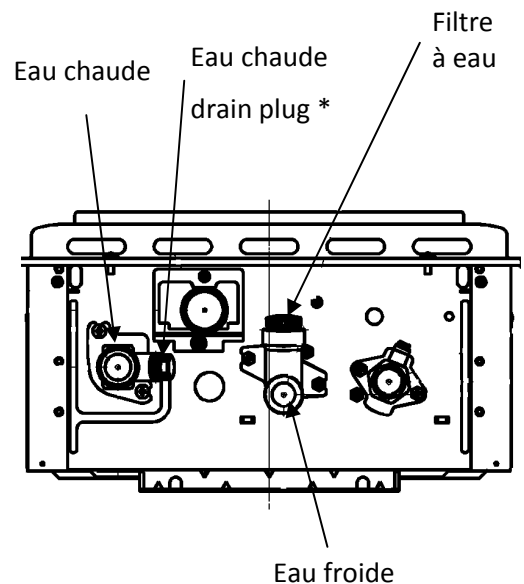
### Traversant un faible volume d'eau le chauffe-eau pour éviter le gel

Si la température dépasse la capacité du chauffe-eau à geler se protéger, ou si la puissance est perdue, les étapes suivantes peuvent empêcher le chauffe-eau et tuyauteries externes de congélation. (Unités connectées avec EZ Connect (lien unité 2) devraient être drainées pour prévenir le gel si ne s'en servent.)

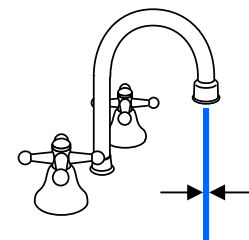
1. Désactiver le chauffe-eau.
2. Fermez le robinet d'approvisionnement en gaz.
3. Tourner un robinet d'eau chaude à l'eau de flux sur 0,1 gal/min ou lorsque le flux est environ 0,2 pouces d'épaisseur.

### Quand le chauffe-eau ou des tuyauteries externes a gelé

1. Ne fonctionnent pas le chauffe-eau si elle ou la tuyauterie externe est gelée.
2. Fermer les robinets de gaz et d'eau et coupez le courant.
3. Attendez que l'eau dégèle. Vérifier en ouvrant le robinet d'eau.
4. Vérifiez le chauffe-eau et la tuyauterie des fuites.



\* Utiliser une clé ou un autre outil pour dévisser le bouchon de vidange de l'eau chaude



0,1 gal/min ou environ  
0,2 cm d'épaisseur

# PROLONGER LE TRAVAIL DE COUVERTURE EN VERTU DE VOTRE GARANTIE LIMITÉE\*

**Luxury Series RL75, RL94**

## ENREGISTREMENT REQUIS\*

Rinnai offre la possibilité de prolonger votre garantie limitée Standard de Rinnai sur le travail uniquement sur les modèles de la série de Luxury RL75 et RL94 si vous enregistrez dans les 30 jours de l'achat de votre unité. Produits non homologués seront toujours couverts par le Rinnai produit standard garantie limitée, comme le prévoit le manuel d'instructions de fonctionnement qui est livré avec ce produit. De garantie est également disponible sur le site web de Rinnai à [www.rinnai.us](http://www.rinnai.us).

### **APPLICATIONS RÉSIDENTIELLES:**

La période de garantie limitée sur la couverture du travail pour les modèles RL75 et RL94 chauffe-eau installé dans une application résidentielle est prolongée de 48 mois (un total de 60 mois de travail couverture à compter de la date d'achat), lorsqu'il est utilisé dans une application résidentielle de l'eau chaude, si le produit est enregistré dans les 30 jours de l'achat à [www.rinnaregistration.com](http://www.rinnaregistration.com) ou en téléphonant au 1-866-RINNAI-1 (746-6241), sauf l'enregistrement n'est pas nécessaire en Californie et au Québec.

### **CONDITIONS SUPPLÉMENTAIRES DE L'EXTENSION DE LA COUVERTURE DU TRAVAIL EN VERTU DE LA GARANTIE LIMITÉE:**

1. La couverture du travail ne s'étend pas si RL75 et RL94 les chauffe-eau sans réservoir est utilisé pour la structure de chauffage ou dans une application en boucle fermée.
2. Si le produit est installé sur un système de circulation, le système de circulation doit être contrôlé par un système à la demande, ou de la garantie limitée ne sera pas prolongée.

### **COMMERCIAL APPLICATIONS:**

La période de garantie limitée sur la couverture du travail pour les modèles RL75 et RL94 chauffe-eau installé dans une application commerciale est prolongée de 12 mois (24 mois au total labor couverture à compter de la date d'achat), lorsqu'il est utilisé dans une application commerciale de l'eau chaude, si le produit est enregistré dans les 30 jours de l'achat à [www.rinnaregistration.com](http://www.rinnaregistration.com) ou en téléphonant au 1-866-RINNAI-1 (746-6241), sauf l'enregistrement n'est pas nécessaire en Californie et au Québec.

### **CONDITIONS SUPPLÉMENTAIRES DE L'EXTENSION DE LA COUVERTURE DU TRAVAIL EN VERTU DE LA GARANTIE LIMITÉE:**

1. La couverture du travail ne s'étend pas si RL75 et RL94 les chauffe-eau sans réservoir est utilisé pour la structure de chauffage ou dans une application en boucle fermée.
2. Si le produit est installé sur un système de circulation, le système de circulation doit être contrôlé par un système à la demande, ou de la garantie limitée ne sera pas prolongée.

\* **Applicable uniquement si le produit est enregistré dans les 30 jours de l'achat et les autres conditions sont remplies. Note de la Californie et les résidents du Québec et les résidents d'autres pays qui interdisent les prestations de garantie conditionnées à une inscription, inscription n'est pas nécessaire d'obtenir de plus longues périodes de garantie et l'omission d'enregistrer ne diminue en rien vos droits de garantie. [www.Rinnai.US/Warranty](http://www.Rinnai.US/Warranty)**



# Garantie limitée pour Luxury Series RL75, RL94

## Qu'est-ce qui est couvert ?

La garantie limitée Standard Rinnai couvre tout défaut de matériaux ou de fabrication lorsque le produit est installé et exploité selon Rinnai écrit des instructions d'installation, soumise aux termes de ce document de garantie limitée. Cette garantie limitée s'applique uniquement aux produits qui sont installés correctement. Installation incorrecte peut annuler la présente garantie limitée. Rinnai suggère fortement que vous utilisez un professionnel agréé qui a assisté à une classe de formation Rinnai installation avant d'installer ce chauffe-eau. Cette garantie limitée énoncée dans le tableau ci-dessous s'étend à l'acheteur original et les propriétaires subséquents, mais seulement alors que le produit reste sur le site de l'installation d'origine. Cette garantie limitée seulement s'étend à l'installation tout d'abord et originale du produit et prend fin si le produit est déplacé ou réinstallé dans un nouveau lieu.

## Combien de temps dure la couverture ?

Élément	Période de couverture (à partir de la date d'achat)		
	Applications domestiques	Si utilisé pour le chauffage de l'eau résidentiel et de fins de chauffage	Applications commerciales
Échangeur thermique	12 ans [1] [2]	10 ans [1] [2]	5 ans [1]
Autre pièces et composants	5 ans [1]	5 ans [1]	5 ans [1]
Main d'œuvre dans la limite du raisonnable	1 an [3]	1 an [3]	1 an [3]

- [1] La période de couverture est réduite à 3 ans à partir de la date d'achat quand le chauffe-eau est utilisé comme chauffage d'eau circulante dans une boucle de circulation d'eau chaude, où il est utilisé en série avec un système de circulation, et que toute l'eau qui circule passe au travers de lui, et où un système de recirculation à la demande n'est pas incorporé.
- Une recirculation à la demande est définie comme une boucle de recirculation d'eau chaude ou un système qui utilise des conduites d'eau chaude et froide existantes, ou une conduite de retour dédiée, et qui ne s'active que lorsque de l'eau chaude est utilisée. L'activation peut se faire par bouton poussoir, détecteur de mouvement ou activation vocale, mais pas par un capteur de température. Une minuterie ajoutée sur une pompe de recirculation standard n'est pas considérée comme donnant un système à la demande.
- [2] Période de couverture est réduite à 5 ans à compter de la date d'achat, si le paramètre de température chauffe eau Rinnai dépasse 160° F (71° C).
- [3] Couverture du travail est étendue à 5 ans dans les applications résidentielles et de 2 ans dans des applications commerciales si le produit est enregistré dans les 30 jours (sauf si l'inscription n'est pas requise en Californie et au Québec) ou si les conditions ci-dessus dans les sections Applications résidentielles et des Applications commerciales sont remplies.

AVIS: Le contrôleur intégré sur les modèles de l'intérieurs a une garantie de 1 an sur les pièces.

## Que fait Rinnai pour exercer la garantie ?

Rinnai sera réparer ou remplacer le produit couvert ou toute partie ou le composant défectueux de matériaux ou de fabrication comme énoncés dans le tableau ci-dessus. Rinnai devra payer les frais raisonnables de travail associées à la réparation ou le remplacement d'une telle partie ou composante pendant la durée de la période de garantie du travail. Toutes les pièces de réparation doivent être authentiques Rinnai parties. Toutes les réparations ou remplacements doivent être effectués par un professionnel autorisé qui est correctement formé, État qualifié ou agréé pour faire le type de réparation.

Remplacement du produit peut être autorisée par Rinnai uniquement à sa seule discrétion. Rinnai n'autorise pas une personne ou une société d'assumer pour elle, toute obligation ou responsabilité en relation avec le remplacement du produit. Rinnai détermine la réparation d'un produit n'est pas possible, Rinnai peut remplacer le produit par un produit comparable à la seule discrétion de Rinnai. Si un composant ou un produit retourné à Rinnai est trouvé pour être exempts de défauts de matériau ou de fabrication, ou endommagé par une mauvaise installation ou endommagés pendant le transport retour, peut se voir refuser la demande de garantie pour les produits, pièces et main-d'œuvre.

## Comment obtenir le service au titre de la garantie ?

Vous devez communiquer avec un fournisseur de service autorisé ou professionnels qualifiés et agréés État pour la réparation d'un produit en vertu de cette garantie. Pour trouver les coordonnées d'un tel fournisseur local, veuillez contacter votre point d'achat, ou allez sur le site Web de Rinnai ([www.rinnai.us](http://www.rinnai.us)). Vous pouvez aussi téléphoner au 1-888-835-9320 ou écrire à: 103 International Drive, Peachtree City, Georgia 30269, USA.

Preuve d'achat est requis pour obtenir le service de garantie. Vous peut présenter une preuve d'achat avec un reçu daté de vente, ou en s'inscrivant dans les 30 jours de l'achat du produit. Pour inscrire votre chauffe-eau, veuillez visiter [www.rinnai.us](http://www.rinnai.us). Pour les personnes sans accès à internet, veuillez appeler le 1-866-RINNAI1 (746-6241). Réception de l'enregistrement par Rinnai constituera proof-of-purchase pour ce produit. Enregistrement de produit installé dans la nouvelle construction peut être vérifié avec une copie des documents fermeture fournie par l'acheteur initial de maison. Cependant, l'enregistrement n'est pas nécessaire afin de valider cette garantie limitée.

## Qu'est-ce qui n'est pas couvert ?

Cette garantie ne couvre pas routes pannes ou difficultés de fonctionnement découlant de :

- accident, abus, mauvais usage
- altération du produit ou de toute partie de la composante
- mauvaise application de ce produit
- installation incorrecte
  - ◇ produit étant installé dans un environnement corrosive
  - ◇ dommages dus à la condensation
  - ◇ mauvaise ventilation
  - ◇ type de gaz incorrect
  - ◇ pression incorrecte de l'eau ou de gaz
  - ◇ absence de bac de drainage sous l'appareil
- qualité de l'eau
- entretien inadéquat (comme sans y être limité accumulation de tartre, dommages dus au gel, blocage de ventilation)
- classement par taille incorrect
- tout autre cause non due aux défauts dans les matériaux ou l'exécution
- problèmes ou dommages dus aux feux, à l'inondation, aux montées subites électriques, à la congélation ou à toutes forces majeure
- force majeure

Il n'y a aucune garantie sur les produits installés dans une boucle fermée application, communément associée aux seules les applications de chauffage.

Utilisation d'un contrôleur de MCC-91-2 dans un logement résidentiel réduira la couverture de la garantie à celle d'une demande de garantie commerciale sauf quand un MCC-91-2 est utilisé avec un gestionnaire d'air à eau chaude pour des températures pas plus élevés que 160° F (71° C).

Cette garantie ne s'applique pas pour tout produit sur lequel numéro de série ou date de fabrication auraient été effacés.

Cette garantie ne couvre pas tout produit utilisé dans une application qui gère de l'eau traitée chimiquement, comme le chauffage de piscine ou de spa.

## Limitation sur les garanties

Personne n'est autorisé à apporter toute autre garantie au nom de Rinnai pour ce produit. Sauf pour ce qui est expressément communiqué ici, il n'y a aucune autre garantie, explicite ou implicite, y compris sans y être limité les garanties de valeur marchande ou d'adéquation à une finalité particulière, qui s'étendrait au-delà de la description de garantie fournie ici.

Toutes garanties implicites de valeur marchande et d'adéquation à une finalité spécifique autorisées par la législation locale seront de toutes façons limitées en durée à la période de couverture offerte par cette garantie limitée, sauf si la période légale locale d'application est plus courte. Certains états ne permettent pas de limitations sur le temps que durent les garanties implicites, de ce fait la limitation qui précède peut ne pas être applicable à votre cas.

De plus Rinnai n'est pas responsable de tous dommages spéciaux, accessoires, indirects ou consécutifs qui peuvent survenir, y compris les dommages aux personnes et aux biens, la perte d'usage, les désagréments ou les conséquences de mauvaise qualité d'installation, entretien ou utilisation. Certains états ne permettent pas l'exclusion ou la limitation des dommages annexes ou consécutifs, de ce fait la limitation qui précède peut ne pas être applicable à votre cas.

Cette garantie vous donne des droits légaux spécifiques, et vous pouvez également avoir d'autres droits qui peuvent varier d'un état à l'autre.

[www.rinnai.us/warranty](http://www.rinnai.us/warranty)



# — Ask about — Rinnai®

Rinnai's other fine products

EXPERIENCE OUR INNOVATION™

---



### Tankless Water Heaters

- Residential and Commercial Applications
  - Continuous Hot Water
  - ENERGY STAR® qualified models
  - Up to 9.8 GPM
  - Internal or External Installation
  - Digital Temperature Control
- 



### Condensing Tankless Water Heaters

- Residential and Commercial Applications
  - ENERGY STAR® qualified models
  - Up to 0.96 Energy Factor (EF)
  - Internal or External Installation
  - Pair up with the Rinnai Air Handler for efficient home heating
- 



### Direct Vent Furnaces

- High Efficiency
  - Cool-to-the-touch Cabinet
  - Vent Terminal A Included
  - Blower Included
- 



### Hydronic Furnace

- Designed for Use with Rinnai Systems
  - Domestic Hot Water Priority
  - Optional Programmable Thermostat
  - Zero Clearance to Combustibles
  - Accommodates Standard Cased-Coils
- 



### Boilers

- Residential and Commercial Applications
  - ENERGY STAR® qualified models
  - Up to 96.5% AFUE efficiency
  - Compact wall mounted design
  - ASME accredited models
- 

Register your product at  
[www.rinnai.us](http://www.rinnai.us)  
or call 1-866-RINNAI1 (746-6241)

For information on Rinnai's products contact  
Rinnai America Corporation  
103 International Drive  
Peachtree City, GA 30269  
TOLL FREE: 1-800-621-9419  
FAX: 678-829-1666  
[www.rinnai.us](http://www.rinnai.us)

U307-0710(02)  
10000244(02)