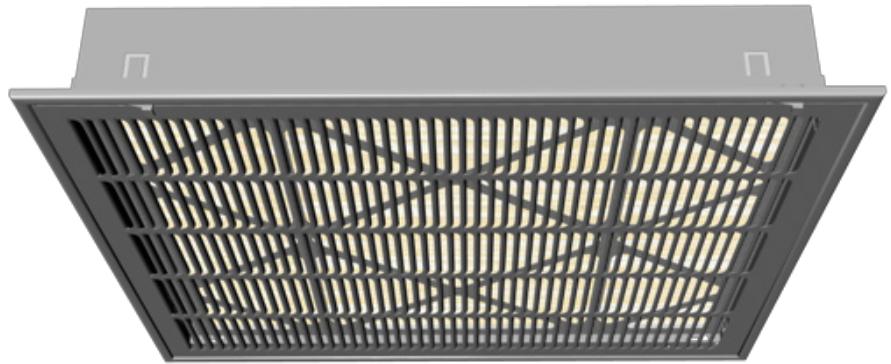


Ensuring Your Filter Properly Fits Your Filter Grill

A return air filter grill is designed to hold a media filter snugly with enough support to hold the filter in place without deforming the filter.

A filter should not move or bounce inside return air filter grill from the HVAC system's air movement. A filter should also stay in place and not fall out of the return air grill when the return air grill is ceiling mounted.

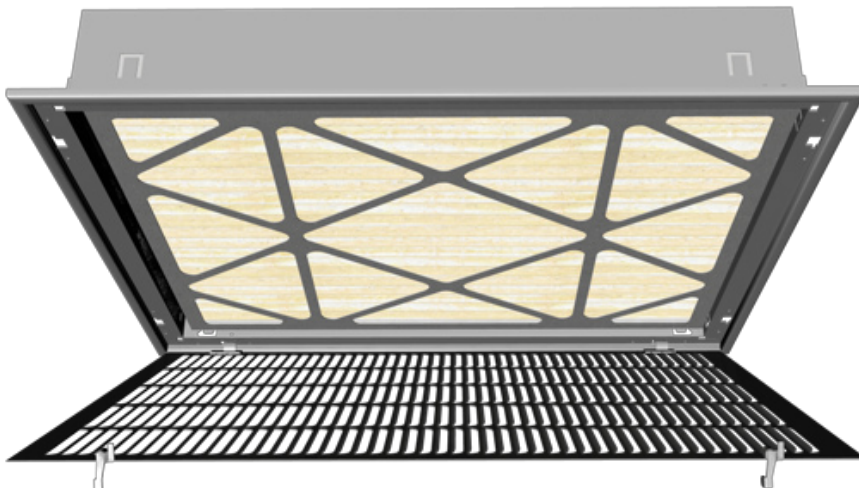
To ensure that your filter properly fits inside your return air filter grill, follow the steps below:



Step 1

Place filter in return air filter grill. Your filter is properly sized if:

- The filter fits snugly in the return air grill with minimal pressure.
- It does not fall out when ceiling mounted.
- The HVAC system's air does not cause the filter to bounce, move, or make noise.



If the filter does not fit in the return air grill because the filter is too large or too small, go to step 2.

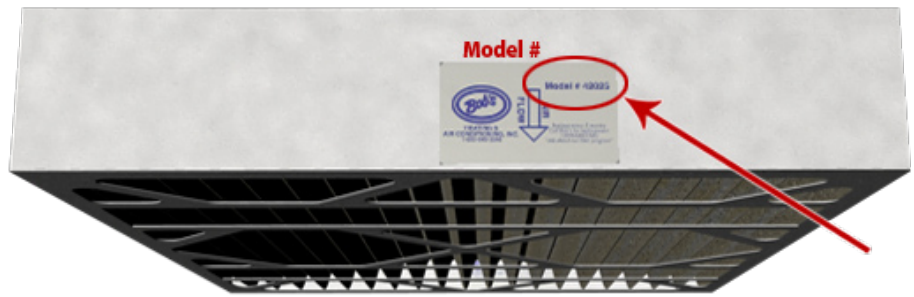
Step 2

Ensure you have the correct filter size by locating the number on your old filter.

(This number is usually located on the side or face

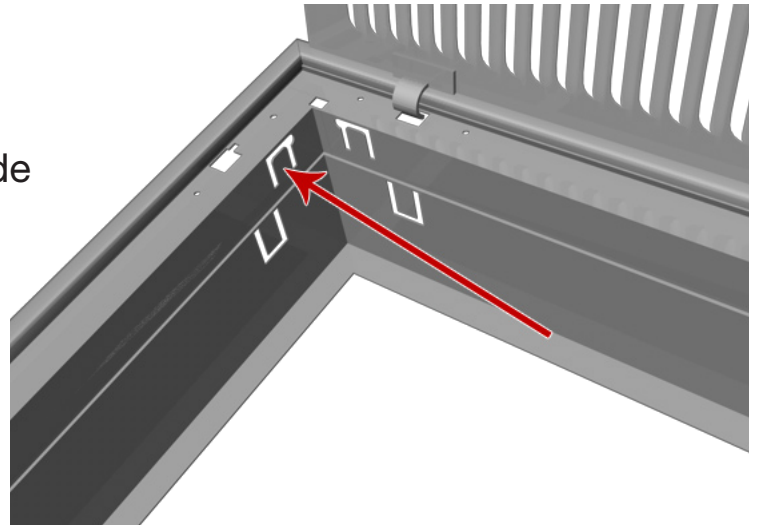
of the filter.) The return air filter grill can be adjusted to fit slightly different dimensions of filters within 1" in length and width, and up to 3" in depth.

If you have the correct size filter, and the filter is not fitting correctly in the return air grill, go to step 3.



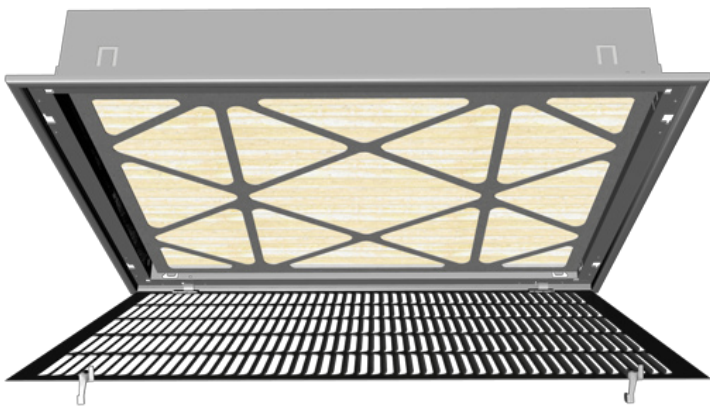
Step 3

The return air filter grill has several adjustment tabs located on the inside of the grill. These tabs are adjusted by pulling the tabs out from the side of grill. Use a flathead screw driver and gently pry these tabs to the desired or estimated adjustment.



Step 4

Replace filter in return air grill. Filter should fit snugly with minimal pressure, have little or no movement, and not fall out of return air grill. If filter still has movement, repeat step 3 until desired fit is reached.



Questions or comments?

Contact Bob's Heating & Air Conditioning at (800) 840-3346 or at www.bobsheating.com